

Rotary Indexing Machine assembles car-door hinge in 10-seconds!

Automatic Assembly Station with automatic feeding of components and screws

Manufacturing engineers have two options for obtaining an automatic assembly system. They can get each component – an automatic screwdriver, a rotary indexing dial, a gripper – from individual suppliers and integrate the parts themselves. Or, they can ask one supplier to deliver a turnkey machine.

This was the choice faced recently by a European automotive supplier. It needed equipment to automatically install screws in door hinge assemblies. The supplier got that – and a lot more – from DEPRAG Schulz GmbH & Co., in Amberg, Germany.

DEPRAG engineers designed and built a manually loaded automated assembly system based on a rotary indexing dial. Measuring less than 4-meters in every direction and the system took 14 weeks of work from the date of the order to acceptance by the customer.

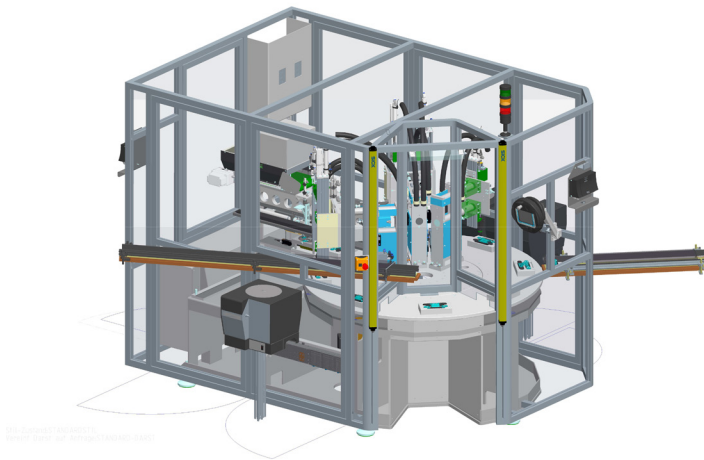
“If the term ‘one-stop-shop’ hadn’t already existed, I would have said that it was coined especially for DEPRAG,” says Jürgen Hierold, sales manager. “This is a huge benefit for our customers. We make every component of the system ourselves. We are able to design and construct the equipment to tried-and-tested standards, and that has a positive effect on price and delivery lead times.” After consultation with the customer, DEPRAG’s engineers decided that a traditional rotary indexing dial would be the best solution for the job. The machine was designed with eight positions. Initially, two of the positions will not be used, but will be available if the assembly operation is ever expanded.



DEPRAG engineer Markus Solfrank adjusts a screwdriving machine.

"In a cycle time of less than 10 seconds, it joins the door hinges, monitors them for quality and sends them on, ready for packaging", says system engineer Markus Solfrank.

At position 1, a linear conveyor brings three preassembled components for the hinge housing to an operator. The operator places the parts into a fixture on the dial. The parts are then transferred past position 2, which is unused, to position 3. There, two programmable, electronic Minimat-EC screwdrivers tighten two pre-fitted screws into the component to a precise angle. The screwdrivers then tighten two more screws that are delivered by an automatic feeder. These screws are driven to a specific torque. Each pair of screws has its own fastening parameters, and the screwdrivers' controller automatically updates the tools on the fly. The controller also ensures that each screwdriving operation has been correctly completed. The workpiece then moves on to station 4, where two plates are installed with a press. (The plates are necessary to adjust the hinge during final assembly of the vehicle.) The plates are fed with a vibratory feeder bowl and a belt-driven hopper.



Rotary Indexing Machine – Layout

Electronic communication between the bowl and the hopper ensures a consistent level of parts in the bowl.

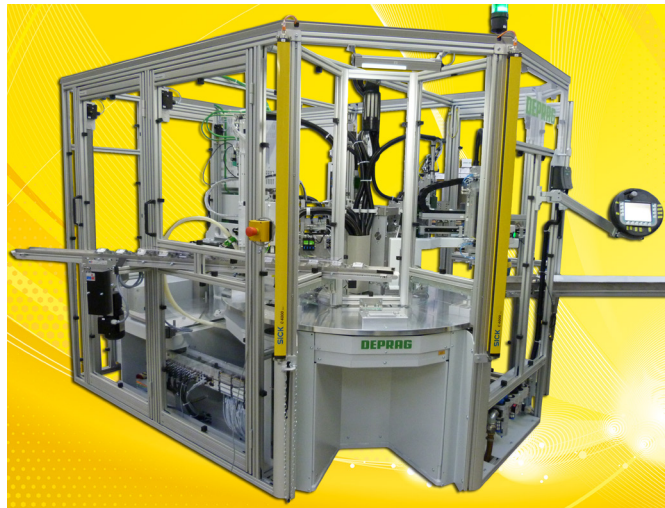
"A conveyor moves the separated plates in the correct alignment toward a swiveling magazine, into which two plates are placed opposite one another", says Solfrank. "A dual gripper picks up the two plates and moves them to the press-fitting position, where a press inserts them with a force of 200 Newtons. While that is happening, the next two plates are

being placed into the swiveling magazine". At station 5, the plates are secured with two screws each. Two pneumatic Minimat screwdrivers tighten the screws to a specific torque. "For reasons of economy we selected two low-cost pneumatic screwdrivers for this station." Hierold explains. "The technology is quite sufficient to achieve the correct torque."

Just two threaded pins remain to be fitted, and this takes place at station 6. This station is equipped with one pneumatic Minimat screwdriver. "This screwdriver fastens the two threaded pins consecutively into the plates,"

says Solfrank. "Instead of having two screwdrivers operating simultaneously at this station, we used just one for two reasons. First, the fastening job fits better into the cycle time, and second, this solution is particularly economical."

The completed component then arrives at station 7, where a gripper lifts it, turns it 90 degrees, and places it on a linear conveyor for transfer to the packaging station. The system will not allow an incorrectly assembled workpiece to continue to packaging. Each station transmits an "OK" or "NOT OK" SIGNAL TO THE SYSTEM'S MASTER CONTROL UNIT. An incorrectly part is returned to the operator at station 1, where he places it aside. The operator can follow the assembly process on an easy-to-read touch screen interface.



Rotary Indexing Machine – Actual



DEPRAG, Inc.
640 Hembry Street
Lewisville, TX 75057
(800) 4 DEPRAG
www.depragusa.com

Press contact:

email: sales@depragusa.com

DEPRAG, Inc.

640 Hembry Street

Lewisville, TX 75057

(800) 433-7724

(800 4 DEPRAG)

(972) 221-8731 Local Phone

(972) 221-8163 Fax

www.depragusa.com