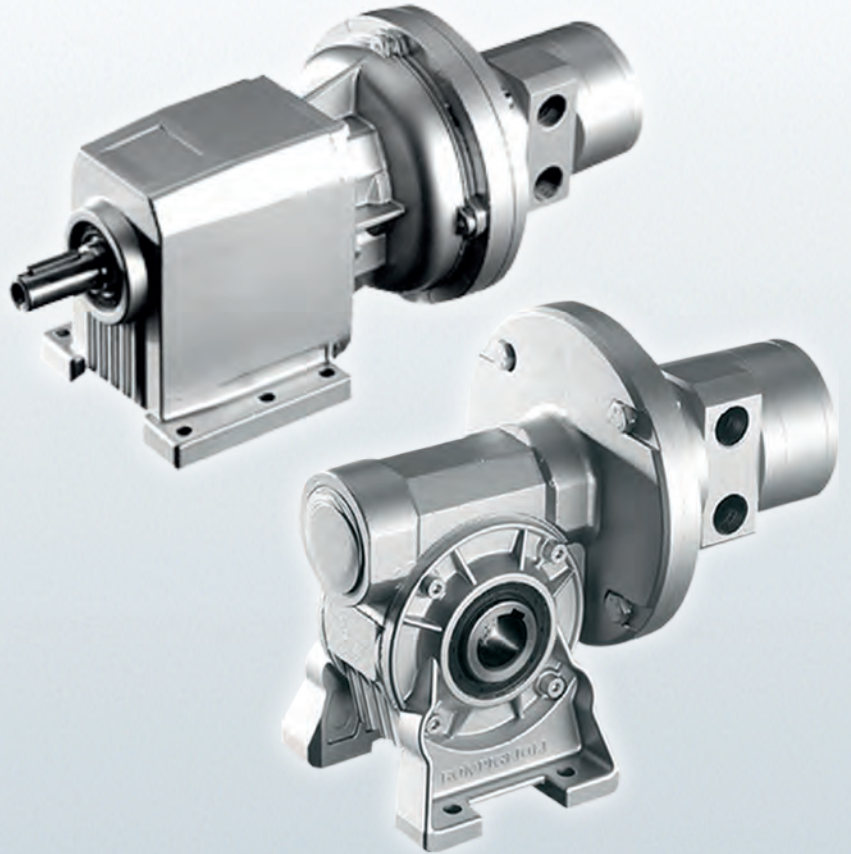


ATEX conform
low weight
robust
long life-span
reliable
high starting torque



POWER LINE

high performance air motors from 1.6 to 18 kW

The high starting torque on this machine, its unrivalled light weight, as well as its robust and reliable design are clear advantages in comparison with any electric drive. The product line of versatile high performance foot and flange motors is in a class of its own.



OVERVIEW PRODUCT SPECTRUM POWER LINE MOTORS

The DEPRAG product spectrum consists of a variety of gear motors. If you cannot find a suitable motor for your application please contact us. As well as our catalogue range we offer low-cost customised system solutions.

POWER LINE motors ATEX conform with integrated holding brake

| | | |
|-----|----|---------------------------------|
| A = | CE | Ex II 2G Ex h IIC T6 Gb X |
| | | Ex II 2D Ex h IIIC T80 °C Db X |
| B = | CE | Ex II 2G Ex h IIC T5 Gb X |
| | | Ex II 2D Ex h IIIC T95 °C Db X |
| C = | CE | Ex II 2G Ex h IIC T4 Gb X |
| | | Ex II 2D Ex h IIIC T130 °C Db X |
| D = | CE | Ex II 2G Ex h IIC T3 Gb X |
| | | Ex II 2D Ex h IIIC T195 °C Db X |

POWER LINE motors – the smallest design size with the highest torque capacity.

If you require different speed rates, then we combine these motors with planetary-, worm-, or spur-gears that are ATEX compliant.

Your advantages:

- compact size
- high degree of efficiency

Performance class:

| | |
|--------|---------|
| 1.6 kW | Page 4 |
| 3.2 kW | Page 14 |
| 5.0 kW | Page 24 |
| 6.0 kW | Page 32 |

Accessories:

| | |
|------------------|---------|
| silencer | Page 42 |
| maintenance unit | Page 43 |

POWER LINE motors with planetary gears



POWER LINE motors - high torque in a small package.

Without gears or optionally with precision planetary gears.

Your advantages:

- compact size
- high degree of efficiency
- choice of mounting position
- translation 5-50

Performance class:

| | |
|--------|---------|
| 1.6 kW | Page 6 |
| 3.2 kW | Page 16 |

Accessories:

| | |
|------------------|---------|
| silencer | Page 42 |
| holding brake | Page 40 |
| maintenance unit | Page 44 |

POWER LINE motors with worm gears



POWER LINE motors with worm gears are used when self-locking gears are required.

Your advantages:

- low-cost
- compact design
- high translation possible at a level of 14 - 80
- self-locking

Performance class:

| | |
|--------|------------|
| 1.6 kW | Page 8/10 |
| 3.2 kW | Page 18/20 |
| 5.0 kW | Page 28/29 |

Technical Information:

| | |
|-------------------|---------|
| mounting position | Page 38 |
| spindle designs | Page 41 |
| flange designs | Page 41 |

Accessories:

| | |
|------------------|---------|
| maintenance unit | Page 44 |
|------------------|---------|

POWER LINE motors with spur gears



POWER LINE motors with spur gear offer user-defined translation options.

Your advantages:

- low cost
- translation: optional (i = 7 - 238)

Performance class:

| | |
|--------|------------|
| 1.6 kW | Page 12 |
| 3.2 kW | Page 22 |
| 5.0 kW | Page 30/31 |

Technical Information:

| | |
|-------------------|---------|
| mounting position | Page 39 |
|-------------------|---------|

Accessories:

| | |
|------------------|---------|
| maintenance unit | Page 44 |
|------------------|---------|

POWER LINE High performance motors with integrated planetary gears provide highest torque.

- They are available in
- flange design (FM)
 - foot design (KM)

Reversal via external valve
ATEX conform

Performance class:
9 kW Page 34
18 kW Page 34

Reversal via lever
without ATEX specification

Performance class:
1.9 kW Page 36
3.3 kW Page 36
4.6 kW Page 36

POWER LINE
High performance motors



THE DESIGN OF YOUR AIR MOTOR:

Calculating the motor performance:

$$P = \frac{M \times n}{9550}$$

P = Power output in kW
M = Nominal torque in Nm
n = Nominal speed in rpm

Power [HP] = P [kW] x 1.34
Torque [in.lbs] = M [Nm] x 8.85

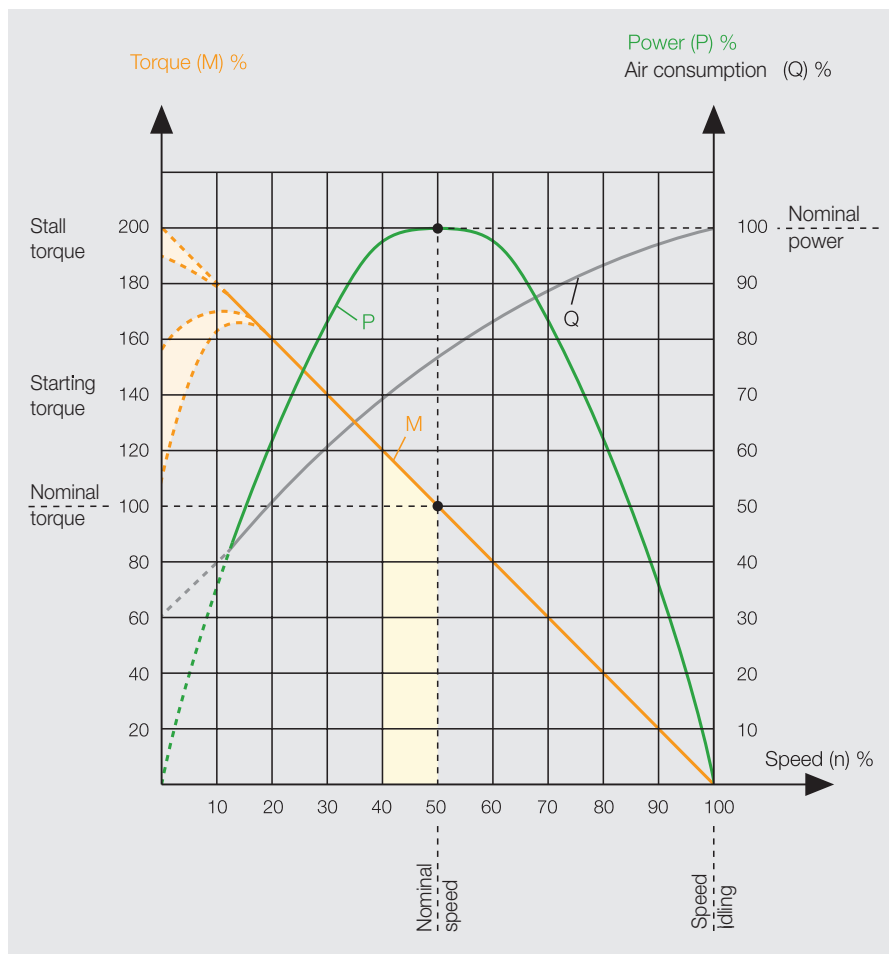
The optimal working range of an air motor is close to the nominal speed.

If you require lower speeds than those mentioned in the catalogue then you can reduce the speed smoothly by throttling the exhaust air without significant loss of performance or torque.

By throttling the supply air or decreasing the operating pressure the speed, the torque and the performance of the motor can be reduced.

All performance data for DEPRAG air motors is based on operating pressure of 6 bar and the minimum allowable opening cross-section of the feed hose as stated in each motor's data.



If your surrounding conditions vary from this you will find a comprehensive guide to our motors in product catalog D6000E. We will also be happy to answer any questions directly.



= optimal working range of the air motor

1.6 kW POWER LINE motors

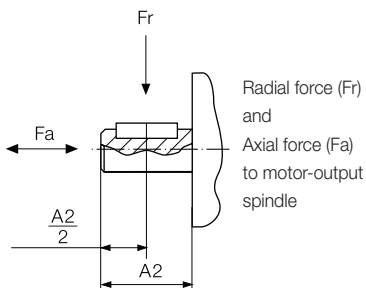
The motors in this design series can be operated in either right- or left rotation. Alternatively, the motor can also be reversed by two external 3/2-way valves or one 5/3-way valve.

| Motor size 9 | | Flange motor reversible | | | | |
|-----------------------------------|---|---|---|---|---|--|
| ATEX conform |  | Type | 68X-001F09/IEC71 without gear | 68X-003F09/IEC80 spur gear | 68X-007F09/IEC80 planetary gear | 68X-001F09/IEC71-VA stainless design |
| | | Part no. | 440908B | 440901B | 440900B | 110009A |
| ATEX specification | | | D | D | D | D |
| Nominal power | kW/HP | 1.6 / 2.1 | 1.6 / 2.1 | 1.6 / 2.1 | 1.6 / 2.1 | 1.6/2.1 |
| Nominal speed | rpm | 4500 | 1500 | 700 | 4500 | |
| Speed (idling) | rpm | 9000 | 3000 | 1400 | 9000 | |
| Nominal torque | Nm/in.lbs | 3.3 / 29 | 10.2 / 90 | 21.5 / 190 | 3.3 / 29 | |
| Start torque min. | Nm/in.lbs | 5 / 44 | 15.3 / 135.4 | 32.2 / 285 | 5 / 44 | |
| Stall torque | Nm/in.lbs | 6.3 / 55.8 | 19.4 / 171.7 | 41.5 / 367.28 | 6.3 / 55.8 | |
| Permissible radial force max. | N/lbs | 360 / 80.64 | 1100 / 246.4 | 1500 / 336 | 240 / 53.76 | |
| Permissible axial force max. | N/lbs | 190 / 42.56 | 760 / 170.24 | 480 / 107.52 | 150 / 33.6 | |
| Air consumption | m ³ /min/cfm | 1.9 / 67 | 1.9 / 67 | 1.9 / 67 | 1.9 / 67 | |
| Weight | kg/lbs | 5.2 / 11.44 | 9.5 / 20.9 | 9.5 / 20.9 | 5.7 / 12.54 | |
| Hose I.D., supply air/exhaust air | mm/in. | 15 ⁵ / ₈ / 19 ³ / ₄ | 15 ⁵ / ₈ / 19 ³ / ₄ | 15 ⁵ / ₈ / 19 ³ / ₄ | 15 ⁵ / ₈ / 19 ³ / ₄ | |
| Motor size 9 with holding brake | | Flange motor reversible | | | | |
| ATEX conform |  | Type | 68X-001F09B/IEC71 without gear | 68X-003F09B/IEC80 spur gear | 68X-007F09B/IEC80 planetary gear | |
| | | Part no. | 445341B | 440658B | 445341M | |
| ATEX specification | | | D | D | D | |
| without ATEX authorization | | | 68-001F09B/IEC71 without gear | 68-003F09B/IEC80 spur gear | 68-007F09B/IEC80 planetary gear | |
| | | | 110909A | 110909B | 110909C | |
| Nominal power | kW/HP | 1.6 / 2.1 | 1.6 / 2.1 | 1.6 / 2.1 | | |
| Nominal speed | rpm | 4500 | 1500 | 700 | | |
| Speed (idling) | rpm | 9000 | 3000 | 1400 | | |
| Nominal torque | Nm/in.lbs | 3.3 / 29 | 10.2 / 90 | 21.5 / 190 | | |
| Start torque min. | Nm/in.lbs | 5 / 44 | 15.3 / 135.4 | 32.2 / 285 | | |
| Stall torque | Nm/in.lbs | 6.3 / 55.8 | 19.4 / 171.7 | 41.5 / 367.28 | | |
| Brake torque | Nm/in.lbs | 6.6 / 58.41 | 20.4 / 180.54 | 43 / 380.55 | | |
| Permissible radial force max. | N/lbs | 360 / 80.64 | 1100 / 246.4 | 1500 / 336 | | |
| Permissible axial force max. | N/lbs | 190 / 42.56 | 760 / 170.24 | 480 / 107.52 | | |
| Air consumption | m ³ /min/cfm | 1.9 / 67 | 1.9 / 67 | 1.9 / 67 | | |
| Weight | kg/lbs | 5.2 / 11.44 | 9.5 / 20.9 | 9.5 / 20.9 | | |
| Hose I.D., supply air/exhaust air | mm/in. | 15 ⁵ / ₈ / 19 ³ / ₄ | 15 ⁵ / ₈ / 19 ³ / ₄ | 15 ⁵ / ₈ / 19 ³ / ₄ | | |

Performance data relate to an air pressure of 6 bar (85 PSI) and lubricated air

Optional equipment

| | Part no. | 445033B | 445033D | 445033E | 107867A |
|---------------------------|----------|---------|---------|---------|---------|
| Spare parts kit | Part no. | 445033B | 445033D | 445033E | 107867A |
| Spare parts kit for brake | Part no. | 445033B | 445033D | 445033E | - |



Holding brake (not ATEX conform) on page 40

Silencer on page 42

Maintenance unit on page 44

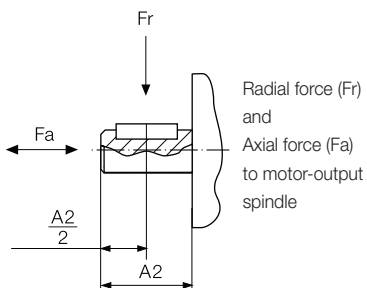
Model number description on page 46

1.6 kW POWER LINE motors with planetary gears

| Motor size 9 with planetary gear | | Flange motor | |
|-------------------------------------|---------------------------|---|---|
| Motor, reversible | Type Part no. | 68-P010F-000-09/1 118300B | 68-P025F-000-09/1 118300C |
| Nominal power | kW / HP | 1.6 / 2.1 | 1.6 / 2.1 |
| Nominal speed | rpm | 450 | 180 |
| Max. admissible speed | rpm | 700 | 280 |
| Nominal torque | Nm / in.lbs | 32 / 283 | 82.5 / 730 |
| Start torque min. | Nm / in.lbs | 48 / 425 | 124 / 1097.4 |
| Stall torque | Nm / in.lbs | 60 / 531 | 157 / 1389.45 |
| Permissible radial force max. | N / lbs | 2800 / 627.2 | 5000 / 1120 |
| Permissible axial force max. | N / lbs | 1900 / 425.6 | 4000 / 896 |
| Air consumption | m ³ /min / cfm | 1.9 / 67 | 1.9 / 67 |
| Weight | kg / lbs | 8.3 / 18.3 | 15.4 / 33.9 |
| Hose I.D., supply air/exhaust air | mm / in. | 15 ⁵ / ₈ / 19 ³ / ₄ | 15 ⁵ / ₈ / 19 ³ / ₄ |
| Gear type | | P90F | P120F |
| Max. gear torque for permanent load | Nm / in.lbs | 144 / 1274.4 | 400 / 3540 |

Performance data relate to an air pressure of 6 bar (85 PSI) and lubricated air

| Optional equipment | | |
|--------------------|----------|---------|
| Spare parts kit | Part no. | 445033B |



Holding brake
on page 40

Silencer
on page 42

Maintenance unit
on page 44

Model number description
on page 46

1.6 kW POWER LINE motors with worm gears

The motors in this design series can be operated in either right- or left rotation. Alternatively, the motor can also be reversed by two external 3/2-way valves or one 5/3-way valve.

| Motor size 9 with worm gear | | Flange motor | Bracket motor |
|-------------------------------------|---------------------------|--|---|
| Motor, reversible | Type Part no. | 68-W014F1- . . . -09 444858A-F ¹⁾ 68-W014F2- . . . -09 444858G-M ¹⁾ | 68-W014KA- . . . -09 444862A-F ¹⁾ |
| Nominal power | kW / HP | 1.6 / 2.1 | 1.6 / 2.1 |
| Nominal speed | rpm | 320 | 320 |
| Speed (idling) | rpm | 430 ²⁾ | 430 ²⁾ |
| Nominal torque | Nm / in.lbs | 40 / 354 | 40 / 354 |
| Start torque min. | Nm / in.lbs | 42 / 371.7 | 42 / 371.7 |
| Air consumption | m ³ /min / cfm | 1.9 / 67 | 1.9 / 67 |
| Weight | kg / lbs | 8.2 / 18 | 8.2 / 18 |
| Hose I.D., supply air/exhaust air | mm / in. | 15 ⁵ / ₈ / 19 ³ / ₄ | 15 ⁵ / ₈ / 19 ³ / ₄ |
| Gear type | | W49F | W49KA |
| Max. gear torque for permanent load | Nm / in.lbs | 49 / 433.7 | 49 / 433.7 |

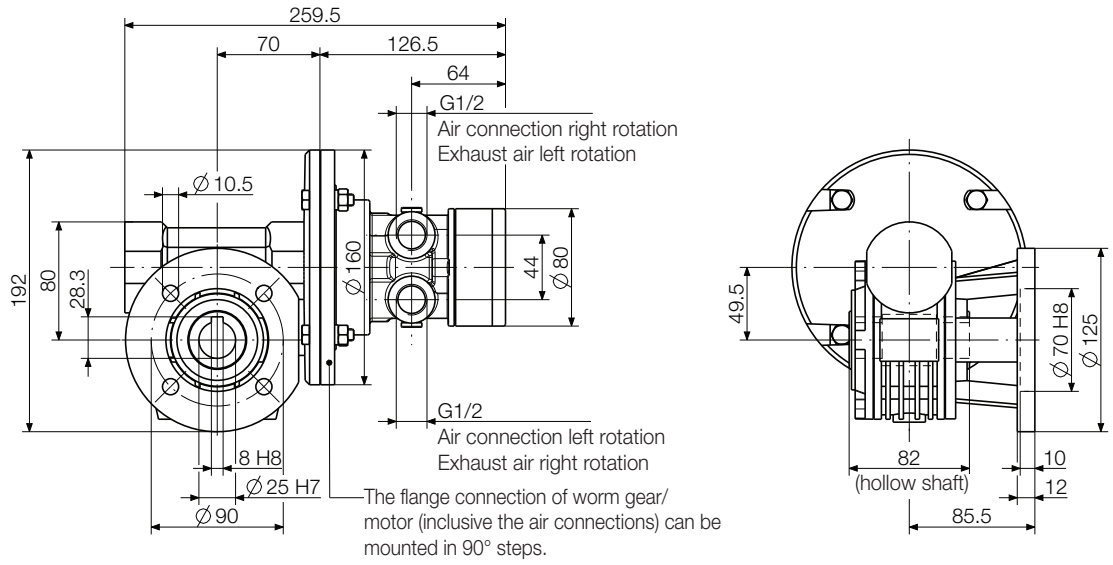
Performance data relate to an air pressure of 6 bar (85 PSI) and lubricated air

¹⁾ F1: A / B / C / D / E / F = mounting position 0B3 / 0B6 / 0B7 / 0B8 / 0V5 / 0V6
 F2: G / H / I / K / L / M = mounting position 0B3 / 0B6 / 0B7 / 0B8 / 0V5 / 0V6
 (Example: mounting position 0B6 = Part no. XXXXXX B)
²⁾ max. admissible speed (idling)

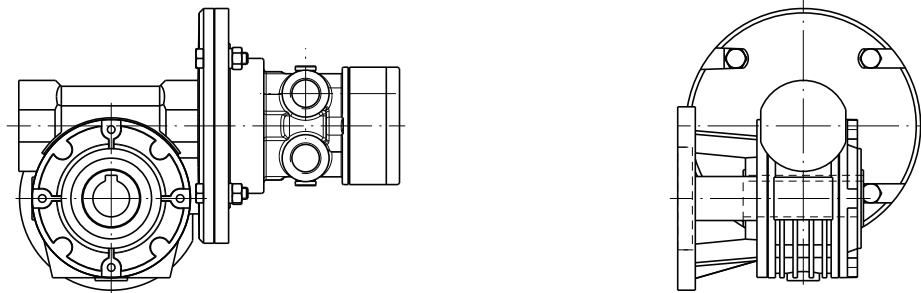
| Optional equipment | | |
|--------------------|----------|---------|
| Spare parts kit | Part no. | 445033B |

| | | | |
|---|--|--|---------------------------------|
| ▶ Mounting positions on page 38 | ▶ Permissible radial and axial forces on page 41 | ▶ Spindle designs on page 41 | ▶ Silencer on page 42 |
| ▶ Maintenance unit on page 44 | ▶ Model number description on page 46 | | |

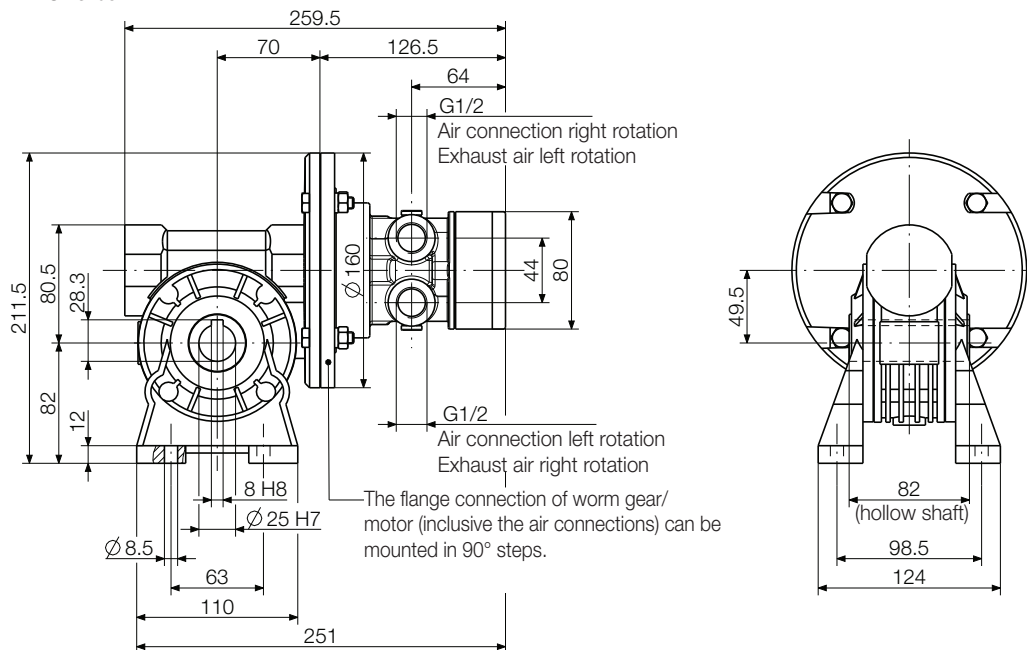
Design with flange F2
i.e. 68-W014F2-OB3-09



Design with flange F1
i.e. 68-W014F1-OB3-09



Design with bracket
i.e. 68-W014KA-OB3-09



1.6 kW POWER LINE motors with worm gears

The motors in this design series can be operated in either right- or left rotation. Alternatively, the motor can also be reversed by two external 3/2-way valves or one 5/3-way valve.

| Motor size 9 with worm gear | | Universal mounting | | |
|-------------------------------------|---------------------------|---|---|---|
| Motor, reversible | Type Part no. | 68-W030U-...-09 446225A-F 1) | 68-W064U-...-09 446226A-F 1) | 68-W080U-...-09 446227A-F 1) |
| Nominal power | kW / HP | 1.6 / 2.1 | 1.6 / 2.1 | 1.6 / 2.1 |
| Nominal speed | rpm | 150 | 70 | 55 |
| Speed (idling) | rpm | 200 2) | 95 2) | 75 2) |
| Nominal torque | Nm / in.lbs | 79 / 699 | 159 / 1407 | 191 / 1690 |
| Start torque min. | Nm / in.lbs | 67 / 593 | 121 / 1071 | 137 / 1212 |
| Air consumption | m ³ /min / cfm | 1.9 / 67 | 1.9 / 67 | 1.9 / 67 |
| Weight | kg / lbs | 11.5 / 25.3 | 18.8 / 41.4 | 18.8 / 41.4 |
| Hose I.D., supply air/exhaust air | mm / in. | 15 ⁵ / ₈ / 19 ³ / ₄ | 15 ⁵ / ₈ / 19 ³ / ₄ | 15 ⁵ / ₈ / 19 ³ / ₄ |
| Gear type | | W63U | W86U | W86U |
| Max. gear torque for permanent load | Nm / in.lbs | 125 / 1106 | 250 / 2212 | 225 / 1991 |

Performance data relate to an air pressure of 6 bar (85 PSI) and lubricated air

1) A / B / C / D / E / F = mounting position 0B3 / 0B6 / 0B7 / 0B8 / 0V5 / 0V6
(Example: mounting position 0B6 = Part no. XXXXXX B)

2) max. admissible speed (idling)

Using the universal mounting the motor can be fixed flexibly. As well as direct mounting, indirect mounting via a flange (F/FC) is also possible.

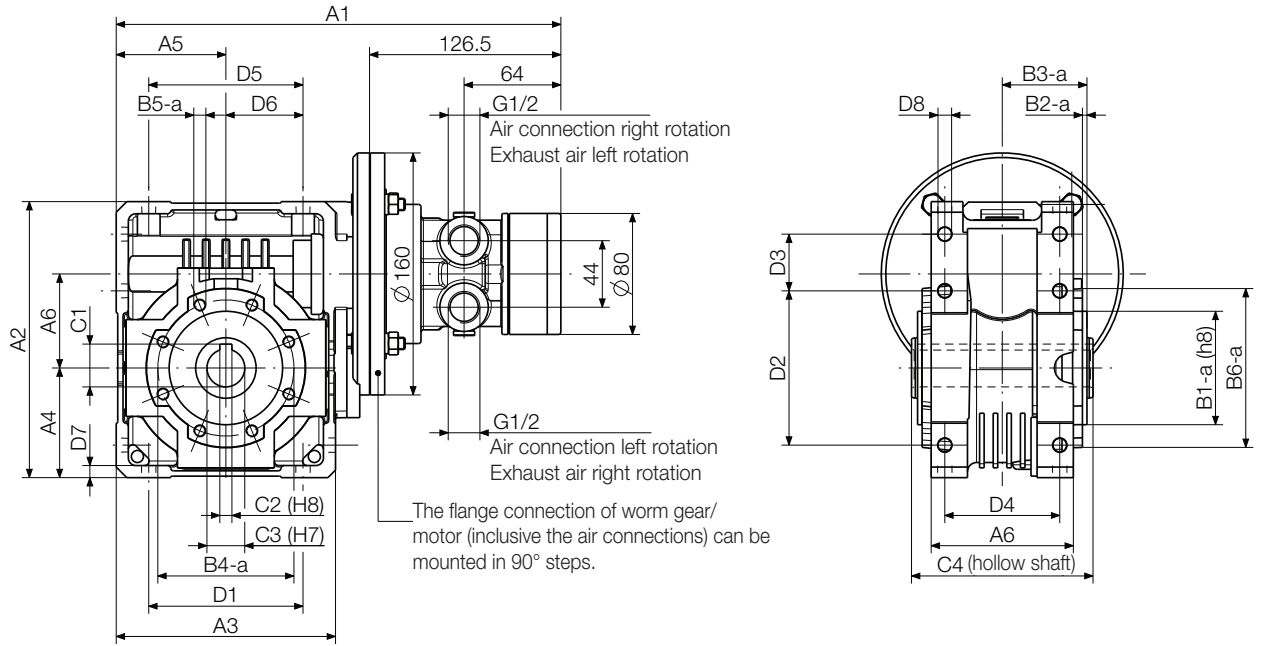
| Optional equipment | | |
|--------------------|----------|----------------|
| Spare parts kit | Part no. | 445033B |
| Flange | Part no. | see on page 39 |

Motor size 9

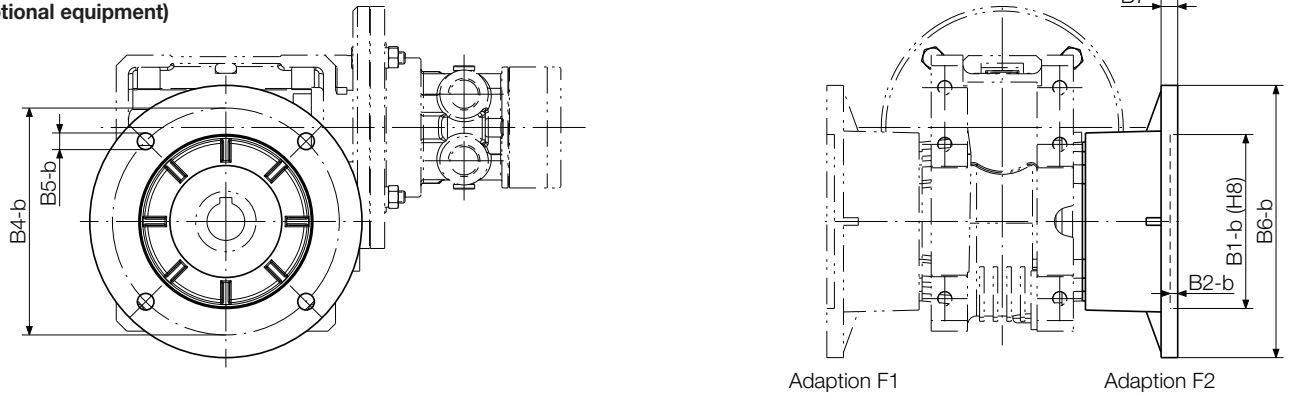
| Type | Dimensions (mm) | | | | | | | | | | | | | | | | | | |
|----------|-----------------|-------|-----|------|------|-----|------|------|------|------|------|------|-------|------|------|--------|------|------|------|
| | A1 | A2 | A3 | A4 | A5 | A6 | B1-a | B1-b | B2-a | B2-b | B3-a | B3-b | B3-c | B4-a | B4-b | B5-a | B5-b | B6-a | B6-b |
| 68-W030U | 294 | 182.5 | 145 | 72.5 | 72.5 | 94 | 75 | 115 | 3 | 5 | 56 | 116 | 86 | 90 | 150 | M8x14 | 11 | 105 | 180 |
| 68-W064U | 355 | 245.5 | 200 | 100 | 100 | 125 | 110 | 152 | 3.5 | 6 | 68 | 151 | 110.5 | 130 | 176 | M10x18 | 12.5 | 150 | 210 |
| 68-W080U | | | | | | | | | | | | | | | | | | | |
| | B7 | C1 | C2 | C3 | C4 | D1 | D2 | D3 | D4 | D5 | D6 | D7 | D8 | | | | | | |
| 68-W030U | 11 | 28.3 | 8 | 25 | 120 | 102 | 102 | 37.5 | 76 | 102 | 51 | 8 | 9 | | | | | | |
| 68-W064U | 15 | 38.3 | 10 | 35 | 140 | 144 | 144 | 45.5 | 101 | 144 | 72 | 11 | 11.5 | | | | | | |
| 68-W080U | | | | | | | | | | | | | | | | | | | |

| | | | |
|---|--|--|---------------------------------|
| ▶ Shaft load on page 41 | ▶ Permissible radial and axial forces on page 41 | ▶ Flange designs F/FC on page 41 | ▶ Silencer on page 42 |
| ▶ Maintenance unit on page 44 | ▶ Model number description on page 46 | | |

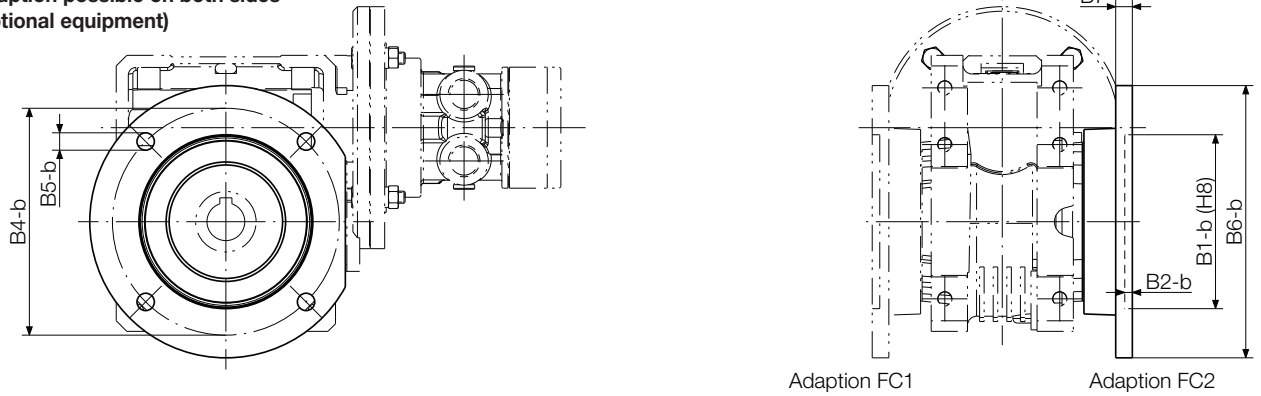
Standard design without flange
i.e. 68-W030U-OB3-09



Flange F
Adaption possible on both sides
(optional equipment)



Flange FC
Adaption possible on both sides
(optional equipment)



1.6 kW POWER LINE motors with spur gears

The motors in this design series can be operated in either right- or left rotation. Alternatively, the motor can also be reversed by two external 3/2-way valves or one 5/3-way valve.

| Motor size 9 with spur gear | | Flange motor | | | | | |
|-------------------------------------|---------------------------|---|---|---|---|---|---|
| Type | | 68-S007 | 68-S016 | 68-S036 | 68-S064 | 68-S135 | 68-S238 |
| Motor, reversible | Part no. | F-...-09 444845A-C ¹⁾ | F-...-09 444846A-C ¹⁾ | F-...-09 444847A-C ¹⁾ | F-...-09 446233A-C ¹⁾ | F-...-09 444849A-C ¹⁾ | F-...-09 446241A-C ¹⁾ |
| Nominal power | kW / HP | 1.6 / 2.1 | 1.6 / 2.1 | 1.6 / 2.1 | 1.6 / 2.1 | 1.6 / 2.1 | 1.6 / 2.1 |
| Nominal speed | rpm | 590 | 280 | 120 | 70 | 33 | 18 |
| Speed (idling) | rpm | 660 ²⁾ | 320 ²⁾ | 140 ²⁾ | 80 ²⁾ | 37 ²⁾ | 21 ²⁾ |
| Nominal torque | Nm / in.lbs | 24 / 212.4 | 50 / 442.5 | 120 / 1062 | 197 / 1743 | 430 / 3805 | 716 / 6337 |
| Start torque min. | Nm / in.lbs | 36 / 318.6 | 75 / 664 | 180 / 1593 | 299 / 2646 | 645 / 5708 | 1084 / 9593 |
| Permissible radial force max. | N / lbs | 1140 / 255.4 | 2030 / 454.7 | 4030 / 902.7 | 5800 / 1299 | 10000 / 2240 | 16000 / 3584 |
| Permissible axial force max. | N / lbs | 228 / 51 | 406 / 91 | 806 / 180.5 | 1160 / 260 | 2000 / 448 | 3200 / 716.8 |
| Air consumption | m ³ /min / cfm | 1.9 / 67 | 1.9 / 67 | 1.9 / 67 | 1.9 / 67 | 1.9 / 67 | 1.9 / 67 |
| Weight | kg / lbs | 11.2 / 24.6 | 12.2 / 26.8 | 14.4 / 31.7 | 33.2 / 73 | 53.4 / 117.5 | 74.7 / 164.3 |
| Hose I.D., supply air/exhaust air | mm / in. | 15 ⁵ / ₈ / 19 ³ / ₄ | 15 ⁵ / ₈ / 19 ³ / ₄ | 15 ⁵ / ₈ / 19 ³ / ₄ | 15 ⁵ / ₈ / 19 ³ / ₄ | 15 ⁵ / ₈ / 19 ³ / ₄ | 15 ⁵ / ₈ / 19 ³ / ₄ |
| Gear type | | S122F | S222F | S322F | S413F | S513F | S614F |
| Max. gear torque for permanent load | Nm / in.lbs | 45 / 398 | 140 / 1239 | 280 / 2478 | 560 / 4956 | 1000 / 8850 | 1600 / 14160 |

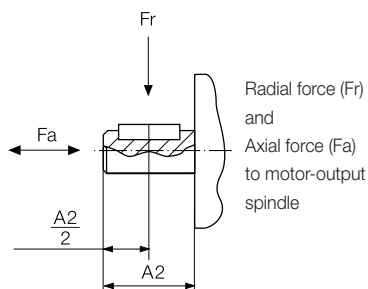
Performance data relate to an air pressure of 6 bar (85 PSI) and lubricated air

¹⁾ A / B / C = mounting position 0B5 / 0V1 / 0V3
(Example: mounting position 0V1 = Part no. XXXXXX B)
²⁾ max. admissible speed (idling)

| Motor size 9 with spur gear | | Bracket motor | | | | | |
|-------------------------------------|---------------------------|---|---|---|---|---|---|
| Type | | 68-S007 | 68-S016 | 68-S036 | 68-S064 | 68-S135 | 68-S238 |
| Motor, reversible | Part no. | K-...-09 444851A-F ¹⁾ | K-...-09 444852A-F ¹⁾ | K-...-09 444853A-F ¹⁾ | K-...-09 446234A-F ¹⁾ | K-...-09 444855A-F ¹⁾ | K-...-09 446242A-F ¹⁾ |
| Nominal power | kW / HP | 1.6 / 2.1 | 1.6 / 2.1 | 1.6 / 2.1 | 1.6 / 2.1 | 1.6 / 2.1 | 1.6 / 2.1 |
| Nominal speed | rpm | 590 | 280 | 120 | 70 | 33 | 18 |
| Speed (idling) | rpm | 660 ²⁾ | 320 ²⁾ | 140 ²⁾ | 80 ²⁾ | 37 ²⁾ | 21 ²⁾ |
| Nominal torque | Nm / in.lbs | 24 / 212.4 | 50 / 442.5 | 120 / 1062 | 197 / 1743 | 430 / 3805 | 716 / 6337 |
| Start torque min. | Nm / in.lbs | 36 / 318.6 | 75 / 664 | 180 / 1593 | 299 / 2646 | 645 / 5708 | 1084 / 9593 |
| Permissible radial force max. | N / lbs | 1140 / 255.4 | 2030 / 454.7 | 4030 / 902.7 | 5800 / 1299 | 10000 / 2240 | 16000 / 3584 |
| Permissible axial force max. | N / lbs | 228 / 51 | 406 / 91 | 806 / 180.5 | 1160 / 260 | 2000 / 448 | 3200 / 716.8 |
| Air consumption | m ³ /min / cfm | 1.9 / 67 | 1.9 / 67 | 1.9 / 67 | 1.9 / 67 | 1.9 / 67 | 1.9 / 67 |
| Weight | kg / lbs | 11.2 / 24.6 | 12.2 / 26.8 | 14.4 / 31.7 | 33.2 / 73 | 53.4 / 117.5 | 74.7 / 164.3 |
| Hose I.D., supply air/exhaust air | mm / in. | 15 ⁵ / ₈ / 19 ³ / ₄ | 15 ⁵ / ₈ / 19 ³ / ₄ | 15 ⁵ / ₈ / 19 ³ / ₄ | 15 ⁵ / ₈ / 19 ³ / ₄ | 15 ⁵ / ₈ / 19 ³ / ₄ | 15 ⁵ / ₈ / 19 ³ / ₄ |
| Gear type | | S122K | S222K | S322K | S413K | S513K | S614K |
| Max. gear torque for permanent load | Nm / in.lbs | 45 / 398 | 140 / 1239 | 280 / 2478 | 560 / 4956 | 1000 / 8850 | 1600 / 14160 |

Performance data relate to an air pressure of 6 bar (85 PSI) and lubricated air

¹⁾ A / B / C / D / E / F = mounting position 0B3 / 0B6 / 0B7 / 0B8 / 0V5 / 0V6
(Example: mounting position 0B7 = Part no. XXXXXX C)
²⁾ max. admissible speed (idling)



Optional equipment

| | | |
|-----------------|----------|---------|
| Spare parts kit | Part no. | 445033B |
|-----------------|----------|---------|

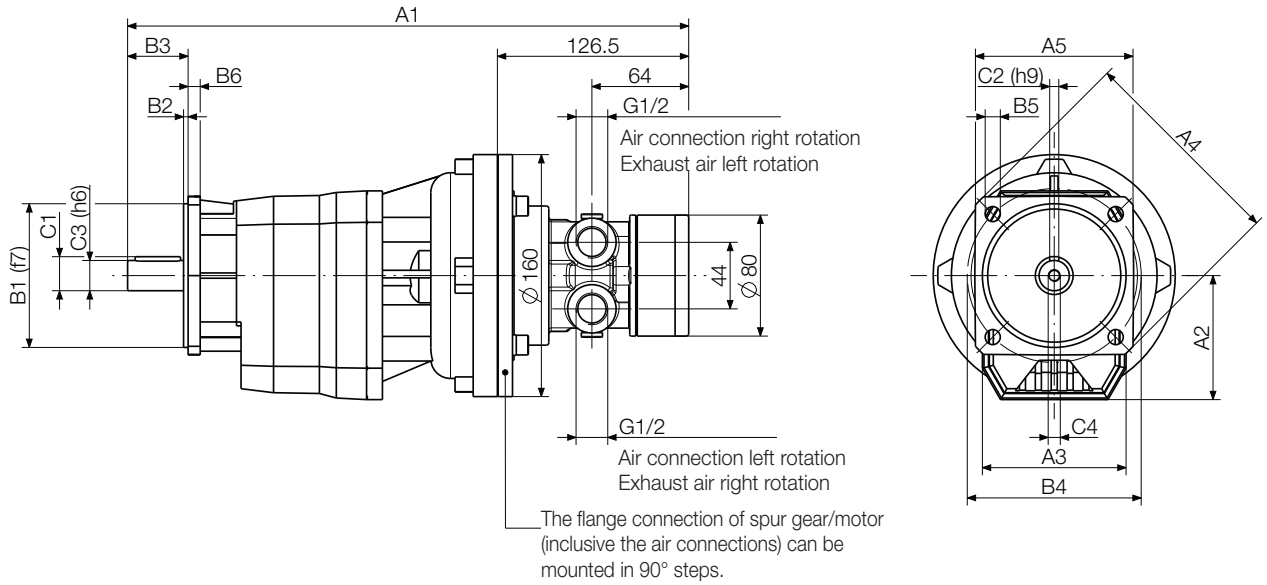
Mounting positions
on page 39

Silencer
on page 42

Maintenance unit
on page 44

Model number description
on page 46

Flange motor
i.e. 68-S007F-OB3-09



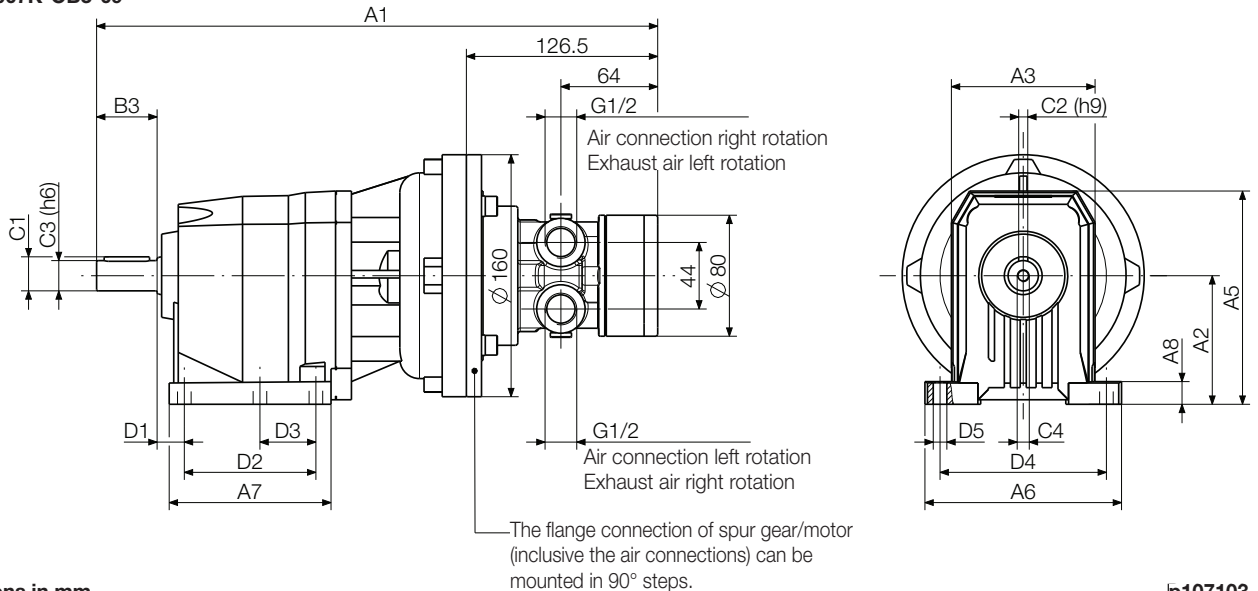
Dimensions in mm

p107103

Motor size 9

| Type | Dimensions flange motor (mm) | | | | | | | | | | | | | | |
|---------|------------------------------|-------|-----|-----|------|-----|-----|-----|-----|------|----|------|----|----|--------|
| | A1 | A2 | A3 | A4 | A5 | B1 | B2 | B3 | B4 | B5 | B6 | C1 | C2 | C3 | C4 |
| 68-S007 | 371 | 82 | 95 | 140 | □105 | 95 | 3 | 40 | 115 | | 8 | 22.5 | 6 | 20 | |
| 68-S016 | 400 | 94 | 110 | 160 | □110 | 110 | 3.5 | 50 | 130 | 9.5 | 10 | 28 | 8 | 25 | M8x19 |
| 68-S036 | 434 | 108 | 130 | 200 | □150 | 130 | 3.5 | 60 | 165 | 11.5 | 12 | 33 | | 30 | M10x22 |
| 68-S064 | 463 | 128 | 155 | 250 | | 180 | 4 | 70 | 215 | 14 | 13 | 38 | 10 | 35 | |
| 68-S135 | 489 | 152 | 185 | 300 | - | 230 | 4 | 80 | 265 | 14 | 16 | 43 | 12 | 40 | M12x28 |
| 68-S238 | 616 | 178.5 | 210 | 350 | | 250 | 5 | 100 | 300 | 18 | 18 | 53.5 | 14 | 50 | M16x36 |

Bracket motor
i.e. 68-S007K-OB3-09





Dimensions in mm

p107103

| Type | Dimensions bracket motor (mm) | | | | | | | | | | | | | | | | | |
|---------|-------------------------------|-----|-----|-----|-----|-------|----|-----|------|----|----|--------|------|-------|------|-----|----|--|
| | A1 | A2 | A3 | A5 | A6 | A7 | A8 | B3 | C1 | C2 | C3 | C4 | D1 | D2 | D3 | D4 | D5 | |
| 68-S007 | 371 | 85 | 95 | 141 | 130 | 107 | 15 | 40 | 22.5 | 6 | 20 | | 18 | 87 | 37 | 110 | 9 | |
| 68-S016 | 400 | 100 | 110 | 166 | 155 | 137 | 17 | 50 | 28 | 8 | 25 | M8x19 | 18 | 107.5 | 47.5 | 130 | | |
| 68-S036 | 434 | 110 | 130 | 181 | 190 | 156 | 20 | 60 | 33 | | 30 | M10x22 | 18 | 130 | 60 | 160 | 11 | |
| 68-S064 | 463 | 130 | 155 | 223 | 216 | 185.5 | 18 | 70 | 38 | 10 | 35 | | 19.5 | 149.5 | | 180 | 14 | |
| 68-S135 | 489 | 155 | 185 | 278 | 270 | 200 | 22 | 80 | 43 | 12 | 40 | M12x28 | 25 | 156 | - | 225 | | |
| 68-S238 | 616 | 195 | 210 | 316 | 300 | 232 | 25 | 100 | 53.5 | 14 | 50 | M16x36 | 25 | 180 | | 250 | 18 | |

3.2 kW POWER LINE motors

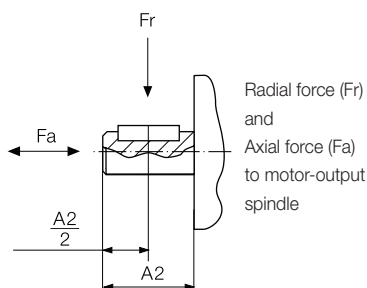
The motors in this design series can be operated in either right- or left rotation. Alternatively, the motor can also be reversed by two external 3/2-way valves or one 5/3-way valve.

| Motor size 11 | | Flange motor reversible | | | | |
|-----------------------------------|---|---|---|---|---|-----------------------------|
| ATEX conform |  | Type | 68X-001F11/IEC80 | 68X-002F11/IEC90 | 68X-005F11/IEC90 | 68X-001F11/IEC80-VA |
| | | Part no. | without gear 440907B | spur gear 440903B | planetary gear 440902B | stainless design 110011A |
| ATEX specification | | | D | D | D | D |
| Nominal power | kW/HP | 3.2 / 4.3 | 3.2 / 4.3 | 3.2 / 4.3 | 3.2 / 4.3 | 3.2 / 4.3 |
| Nominal speed | rpm | 3500 | 1500 | 700 | 3500 | |
| Speed (idling) | rpm | 7000 | 3000 | 1400 | 7000 | |
| Nominal torque | Nm/in.lbs | 8.7 / 77 | 20.4 / 180.5 | 43.6 / 385.9 | 8.7 / 77 | |
| Start torque min. | Nm/in.lbs | 13.1 / 116 | 30.6 / 270.8 | 65.5 / 579.7 | 13.1 / 116 | |
| Stall torque | Nm/in.lbs | 16.6 / 146.9 | 38.7 / 342.5 | 82.9 / 733.7 | 16.6 / 146.9 | |
| Permissible radial force max. | N/lbs | 260 / 58.24 | 1600 / 358.4 | 1900 / 425.6 | 130 / 29.12 | |
| Permissible axial force max. | N/lbs | 220 / 49.28 | 760 / 170.24 | 740 / 165.76 | 180 / 40.32 | |
| Air consumption | m ³ /min/cfm | 3.9 / 137.7 | 3.9 / 137.7 | 3.9 / 137.7 | 3.9 / 137.7 | |
| Weight | kg/lbs | 10.3 / 22.7 | 15.4 / 33.9 | 13.6 / 29.9 | 11 / 24.2 | |
| Hose I.D., supply air/exhaust air | mm/in. | 19 ³ / ₄ / 25 ⁶³ / ₆₄ | 19 ³ / ₄ / 25 ⁶³ / ₆₄ | 19 ³ / ₄ / 25 ⁶³ / ₆₄ | 19 ³ / ₄ / 25 ⁶³ / ₆₄ | |
| Motor size 11 with holding brake | | Flange motor reversible | | | | |
| ATEX conform |  | Type | 68X-001F11B/IEC80 | 68X-002F11B/IEC90 | 68X-005F11B/IEC90 | |
| | | Part no. | without gear 444973E | spur gear 440657B | planetary gear 444973F | |
| ATEX specification | | | D | D | D | |
| without ATEX authorization | | | 68-001F11B/IEC80 | 68-002F11B/IEC90 | 68-005F11B/IEC90 | |
| | | | without gear 110911A | spur gear 110911B | planetary gear 110911C | |
| Nominal power | kW/HP | 3.2 / 4.3 | 3.2 / 4.3 | 3.2 / 4.3 | | |
| Nominal speed | rpm | 3500 | 1500 | 700 | | |
| Speed (idling) | rpm | 7000 | 3000 | 1400 | | |
| Nominal torque | Nm/in.lbs | 8.7 / 77 | 20.4 / 180.5 | 43.6 / 385.9 | | |
| Start torque min. | Nm/in.lbs | 13.1 / 116 | 30.6 / 270.8 | 65.5 / 579.7 | | |
| Stall torque | Nm/in.lbs | 16.6 / 146.9 | 38.7 / 342.5 | 82.9 / 733.7 | | |
| Brake torque | Nm/in.lbs | 17.4 / 154 | 40.8 / 361 | 87.2 / 771.72 | | |
| Permissible radial force max. | N/lbs | 260 / 58.24 | 1600 / 358.4 | 1900 / 425.6 | | |
| Permissible axial force max. | N/lbs | 220 / 49.28 | 760 / 170.24 | 740 / 165.76 | | |
| Air consumption | m ³ /min/cfm | 3.9 / 137.7 | 3.9 / 137.7 | 3.9 / 137.7 | | |
| Weight | kg/lbs | 10.3 / 22.7 | 15.4 / 33.9 | 13.6 / 29.9 | | |
| Hose I.D., supply air/exhaust air | mm/in. | 19 ³ / ₄ / 25 ⁶³ / ₆₄ | 19 ³ / ₄ / 25 ⁶³ / ₆₄ | 19 ³ / ₄ / 25 ⁶³ / ₆₄ | | |

Performance data relate to an air pressure of 6 bar (85 PSI) and lubricated air

Optional equipment

| Optional equipment | Part no. | 445034B | 445034D | 445034E | 107871A |
|---------------------------|----------|---------|---------|---------|---------|
| Spare parts kit | Part no. | 445034B | 445034D | 445034E | 107871A |
| Spare parts kit for brake | Part no. | 445033B | 445033D | 445033E | - |



Holding brake (not ATEX conform)
on page 40

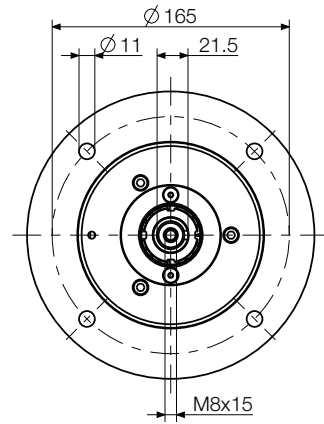
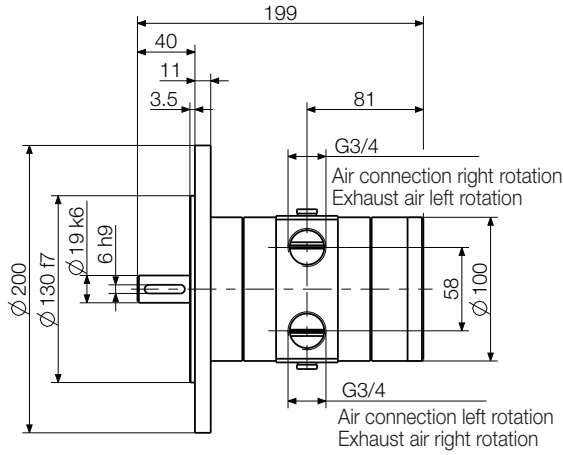
Silencer
on page 42

Maintenance unit
on page 44

Model number description
on page 46

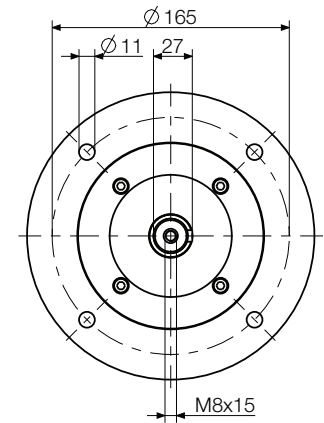
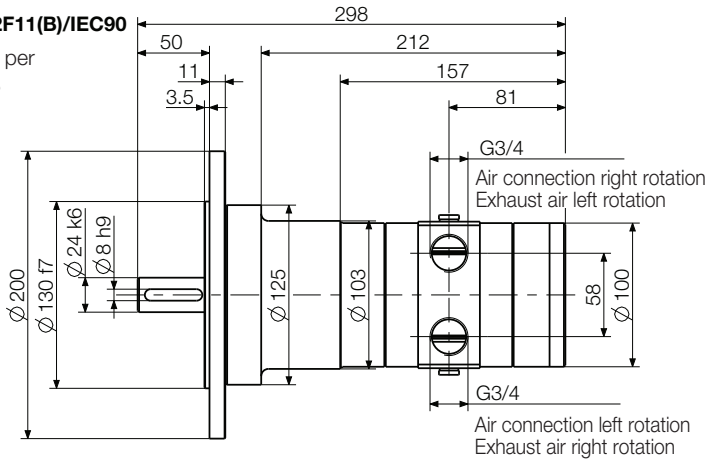
68(X)-001F11(B)/IEC80

Flange as per IEC80-B5



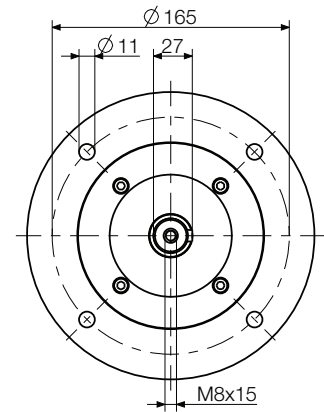
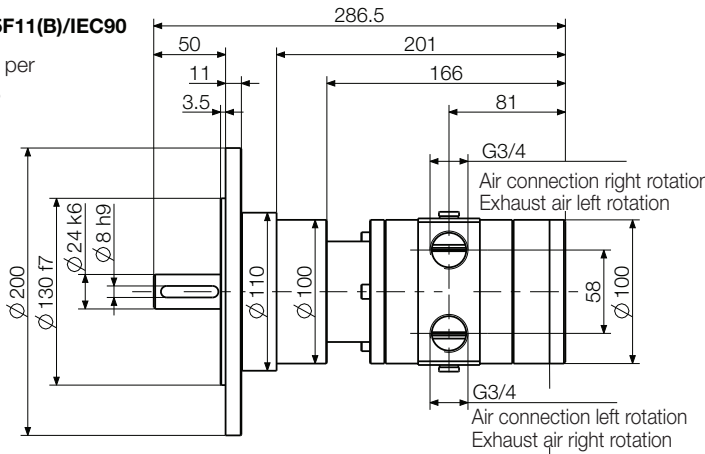
68(X)-002F11(B)/IEC90

Flange as per IEC90-B5

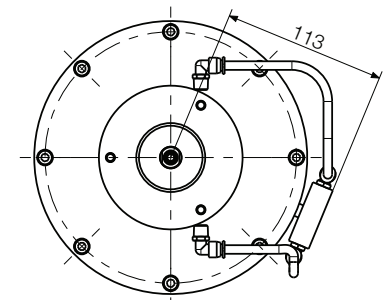
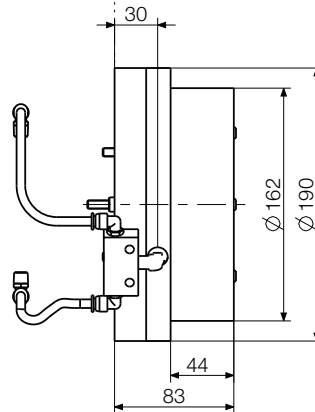


68(X)-005F11(B)/IEC90

Flange as per IEC90-B5



Braking system 446196B



3.2 kW POWER LINE motors with planetary gears

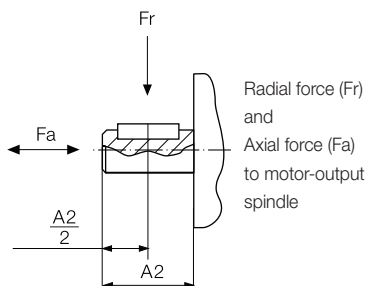
The motors in this design series can be operated in either right- or left rotation. Alternatively, the motor can also be reversed by two external 3/2-way valves or one 5/3-way valve.

| Motor size 11 with planetary gear | | Flange motor |
|-------------------------------------|---------------------------|-------------------------------------|
| Motor, reversible | Type Part no. | 68-P010F-000-11/1 118310B |
| Nominal power | kW / HP | 3.2 / 4.3 |
| Nominal speed | rpm | 350 |
| Speed (idling) | rpm | 700 |
| Nominal torque | Nm / in.lbs | 87 / 770 ¹⁾ |
| Start torque min. | Nm / in.lbs | 131 / 1159.35 ¹⁾ |
| Max. admissible torque | Nm / in.lbs | 144 / 1274.4 |
| Permissible radial force max. | N / lbs | 2800 / 627.2 |
| Permissible axial force max. | N / lbs | 1900 / 425.6 |
| Air consumption | m ³ /min / cfm | 3.9 / 137.7 |
| Weight | kg / lbs | 16.3 / 35.9 |
| Hose I.D., supply air/exhaust air | mm / in. | 19/¾ / 25/63/64 |
| Gear type | | P90F |
| Max. gear torque for permanent load | Nm / in.lbs | 144 / 1274.4 |

Performance data relate to an air pressure of 6 bar (85 PSI) and lubricated air

¹⁾ Maximum torque 480 Nm for a maximum of 1000 cycles under load.

| Optional equipment | |
|--------------------|---------------------|
| Spare parts kit | Part no. 445034B |



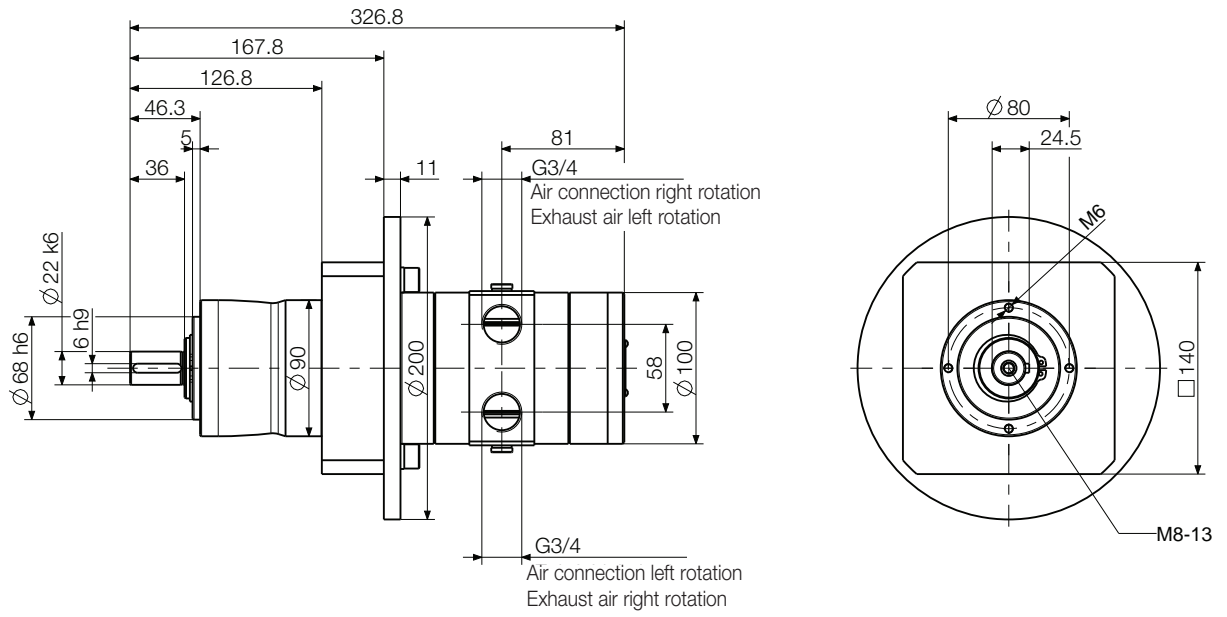
▶ Holding brake
on page 40

▶ Silencer
on page 42

▶ Maintenance unit
on page 44

▶ Model number description
on page 46

68-P010F-000-11



Dimensions in mm

p1059101

3.2 kW POWER LINE motors with worm gears

The motors in this design series can be operated in either right- or left rotation. Alternatively, the motor can also be reversed by two external 3/2-way valves or one 5/3-way valve.

| Motor size 11 with worm gear | | Universal mounting | | |
|-------------------------------------|---------------------------|---|---|---|
| Type | Part no. | 68-W010U-. . .-11 446243A-F 1) | 68-W023U-. . .-11 446228A-F 1) | 68-W040U-. . .-11 446229A-F 1) |
| Motor, reversible | | | | |
| Nominal power | kW / HP | 3.2 / 4.3 | 3.2 / 4.3 | 3.2 / 4.3 |
| Nominal speed | rpm | 350 | 150 | 85 |
| Speed (idling) | rpm | 500 2) | 220 2) | 125 2) |
| Nominal torque | Nm / in.lbs | 76 / 672.6 | 170 / 1504.5 | 280 / 2478 |
| Start torque min. | Nm / in.lbs | 86 / 761.1 | 174 / 1540 | 240 / 2124 |
| Air consumption | m ³ /min / cfm | 3.9 / 137.7 | 3.9 / 137.7 | 3.9 / 137.7 |
| Weight | kg / lbs | 16.8 / 37 | 24.1 / 53 | 24.1 / 53 |
| Hose I.D., supply air/exhaust air | mm / in. | 19 ³ / ₄ / 25 ⁶³ / ₆₄ | 19 ³ / ₄ / 25 ⁶³ / ₆₄ | 19 ³ / ₄ / 25 ⁶³ / ₆₄ |
| Gear type | | W63U | W86U | W86U |
| Max. gear torque for permanent load | Nm / in.lbs | 125 / 1106 | 285 / 2522 | 295 / 2611 |

Performance data relate to an air pressure of 6 bar (85 PSI) and lubricated air

1) A / B / C / D / E / F = mounting position 0B3 / 0B6 / 0B7 / 0B8 / 0V5 / 0V6
(Example: mounting position 0B6 = Part no. XXXXXX B)

2) max. admissible speed (idling)

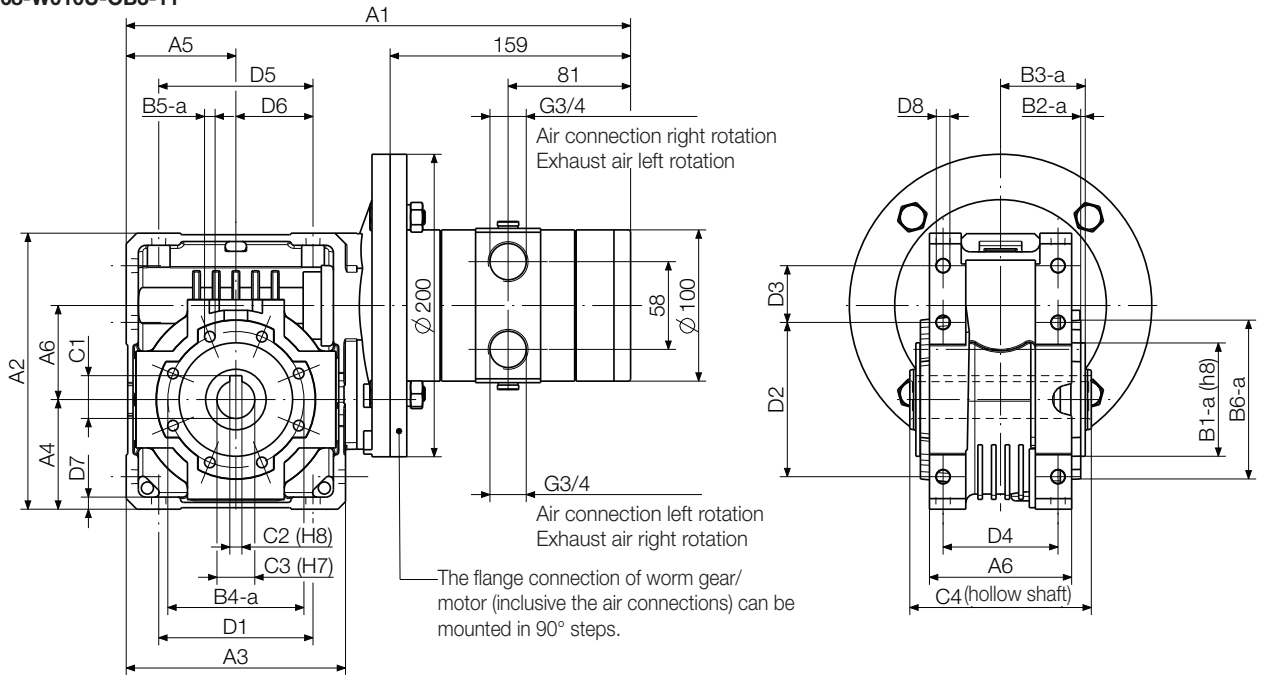
Using the universal mounting the motor can be fixed flexibly. As well as direct mounting, indirect mounting via a flange (F/FC) is also possible.

| Optional equipment | | |
|--------------------|----------|----------------|
| Spare parts kit | Part no. | 445034B |
| Flange | Part no. | see on page 39 |

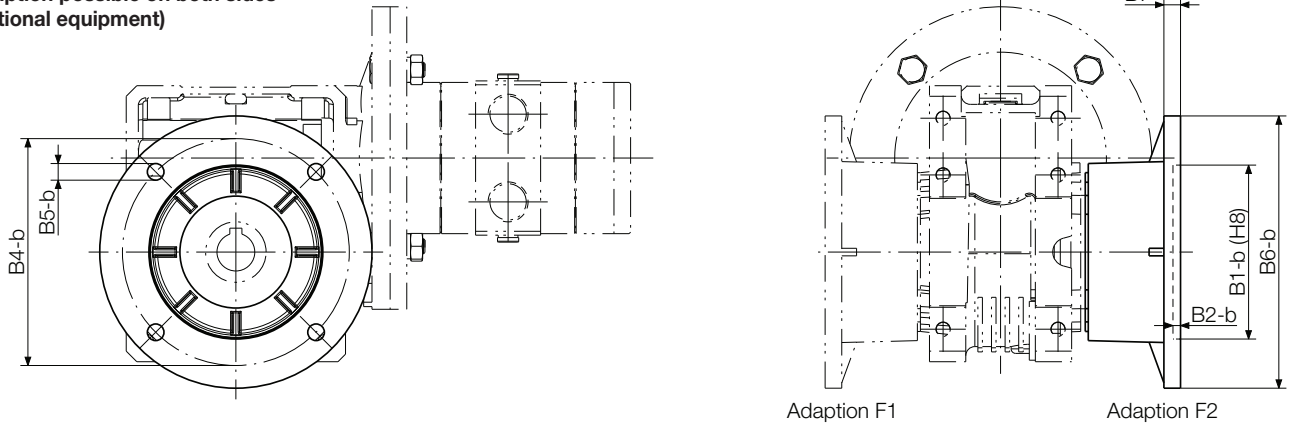
| Motor size 11 | | | | | | | | | | | | | | | | | | | |
|---------------|-----------------|-------|-----|------|------|-----|------|------|------|------|------|------|-------|------|------|--------|------|------|------|
| Type | Dimensions (mm) | | | | | | | | | | | | | | | | | | |
| | A1 | A2 | A3 | A4 | A5 | A6 | B1-a | B1-b | B2-a | B2-b | B3-a | B3-b | B3-c | B4-a | B4-b | B5-a | B5-b | B6-a | B6-b |
| 68-W010U | 334 | 182.5 | 145 | 72.5 | 72.5 | 94 | 75 | 115 | 3 | 5 | 56 | 116 | 86 | 90 | 150 | M8x14 | 11 | 105 | 180 |
| 68-W023U | 387 | 245.5 | 200 | 100 | 100 | 125 | 110 | 152 | 3.5 | 6 | 68 | 151 | 110.5 | 130 | 176 | M10x18 | 12.5 | 150 | 210 |
| 68-W040U | | | | | | | | | | | | | | | | | | | |
| | B7 | C1 | C2 | C3 | C4 | D1 | D2 | D3 | D4 | D5 | D6 | D7 | D8 | | | | | | |
| 68-W010U | 11 | 28.3 | 8 | 25 | 120 | 102 | 102 | 37.5 | 76 | 102 | 51 | 8 | 9 | | | | | | |
| 68-W023U | 15 | 38.3 | 10 | 35 | 140 | 144 | 144 | 45.5 | 101 | 144 | 72 | 11 | 11.5 | | | | | | |
| 68-W040U | | | | | | | | | | | | | | | | | | | |

| | | | |
|---|--|--|---------------------------------|
| ▶ Shaft load on page 41 | ▶ Permissible radial and axial forces on page 41 | ▶ Flange designs F/FC on page 41 | ▶ Silencer on page 42 |
| ▶ Maintenance unit on page 44 | ▶ Model number description on page 46 | | |

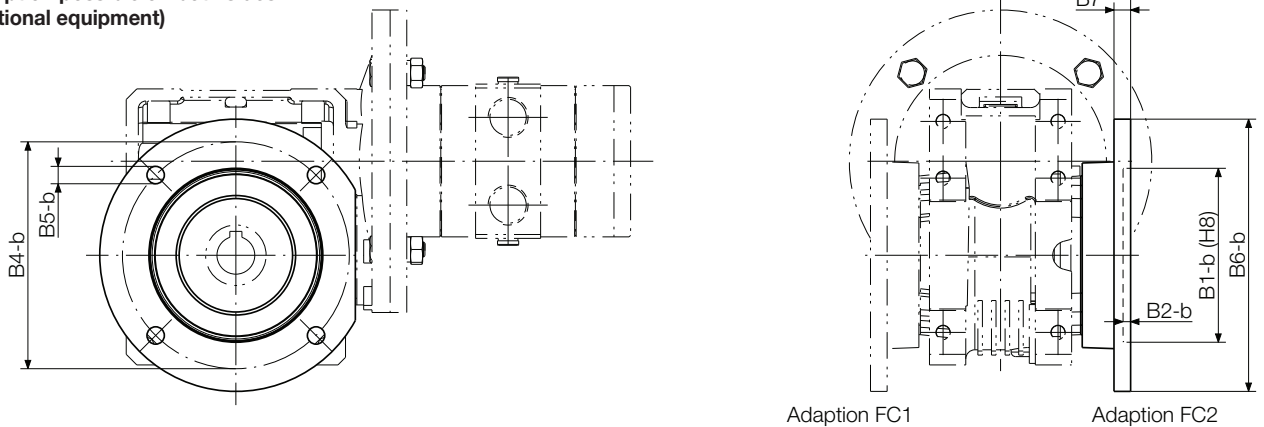
Standard design without flange
i.e. 68-W010U-OB3-11



Flange F
Adaption possible on both sides
(optional equipment)



Flange FC
Adaption possible on both sides
(optional equipment)



3.2 kW POWER LINE motors with worm gears

The motors in this design series can be operated in either right- or left rotation. Alternatively, the motor can also be reversed by two external 3/2-way valves or one 5/3-way valve.

| Motor size 11 with worm gear | | Flange motor | Bracket motor |
|-------------------------------------|---------------------------|--|---|
| Motor, reversible | Type Part no. | 68-W080F1- . . . -11 444886A-F ¹⁾ 68-W080F2- . . . -11 444886G-M ¹⁾ | 68-W080KA- . . . -11 444890A-F ¹⁾ |
| Nominal power | kW / HP | 3.2 / 4.3 | 3.2 / 4.3 |
| Nominal speed | rpm | 44 | 44 |
| Speed (idling) | rpm | 62 ²⁾ | 62 ²⁾ |
| Nominal torque | Nm / in.lbs | 508 / 4496 | 508 / 4496 |
| Start torque min. | Nm / in.lbs | 365 / 3230 | 365 / 3230 |
| Air consumption | m ³ /min / cfm | 3.9 / 137.7 | 3.9 / 137.7 |
| Weight | kg / lbs | 63 / 138.6 | 63 / 138.6 |
| Hose I.D., supply air/exhaust air | mm / in. | 19/ ³ / ₄ / 25/ ⁶³ / ₆₄ | 19/ ³ / ₄ / 25/ ⁶³ / ₆₄ |
| Gear type | | W130F | W130K |
| Max. gear torque for permanent load | Nm / in.lbs | 660 / 5841 | 660 / 5841 |

Performance data relate to an air pressure of 6 bar (85 PSI) and lubricated air

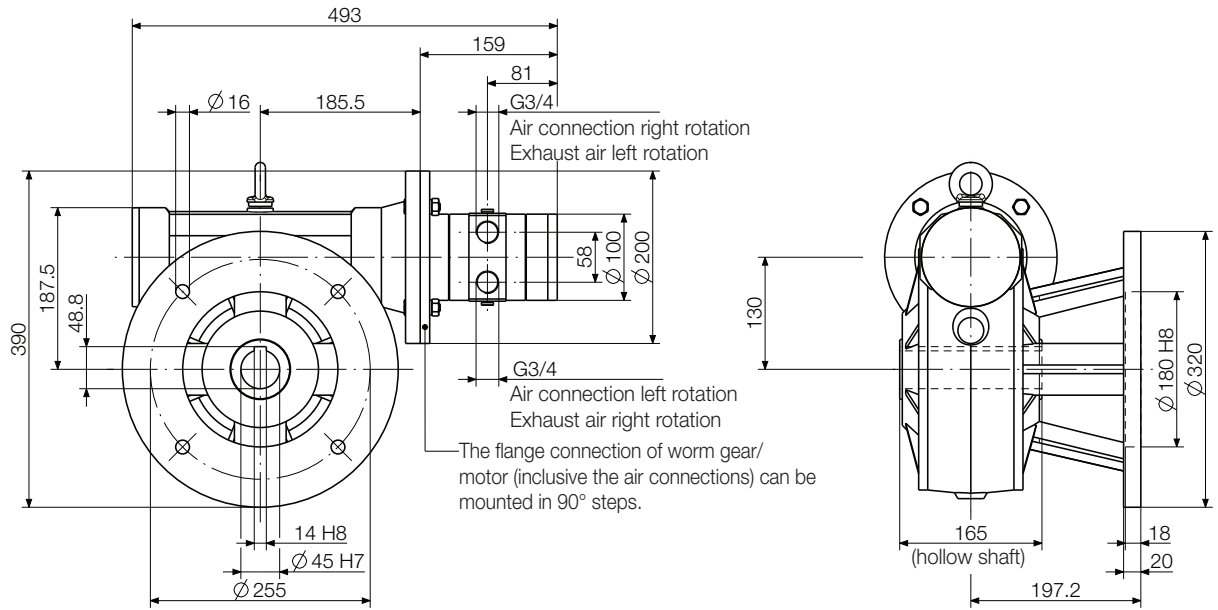
¹⁾ F1: A / B / C / D / E / F = mounting position 0B3 / 0B6 / 0B7 / 0B8 / 0V5 / 0V6
 F2: G / H / I / K / L / M = mounting position 0B3 / 0B6 / 0B7 / 0B8 / 0V5 / 0V6
 (Example: mounting position 0B6 = Part no. XXXXXX B)
²⁾ max. admissible speed (idling)

Optional equipment

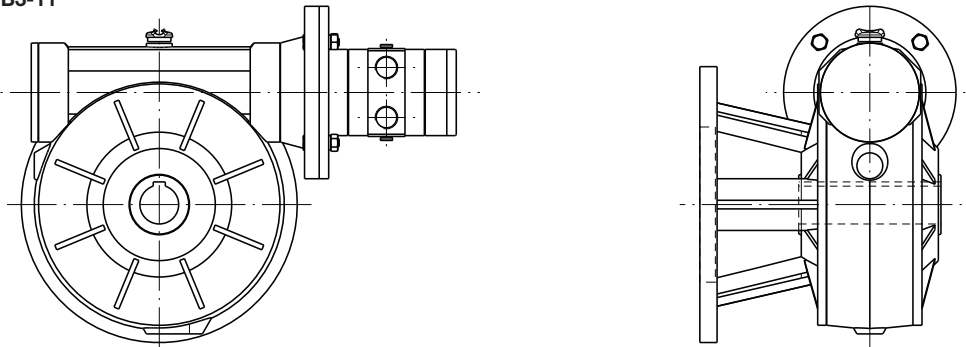
| Spare parts kit | Part no. |
|-----------------|----------|
| | 445034B |

| | | | |
|---|--|--|---------------------------------|
| ▶ Mounting positions on page 38 | ▶ Permissible radial and axial forces on page 41 | ▶ Spindle designs on page 41 | ▶ Silencer on page 42 |
| ▶ Maintenance unit on page 44 | ▶ Model number description on page 46 | | |

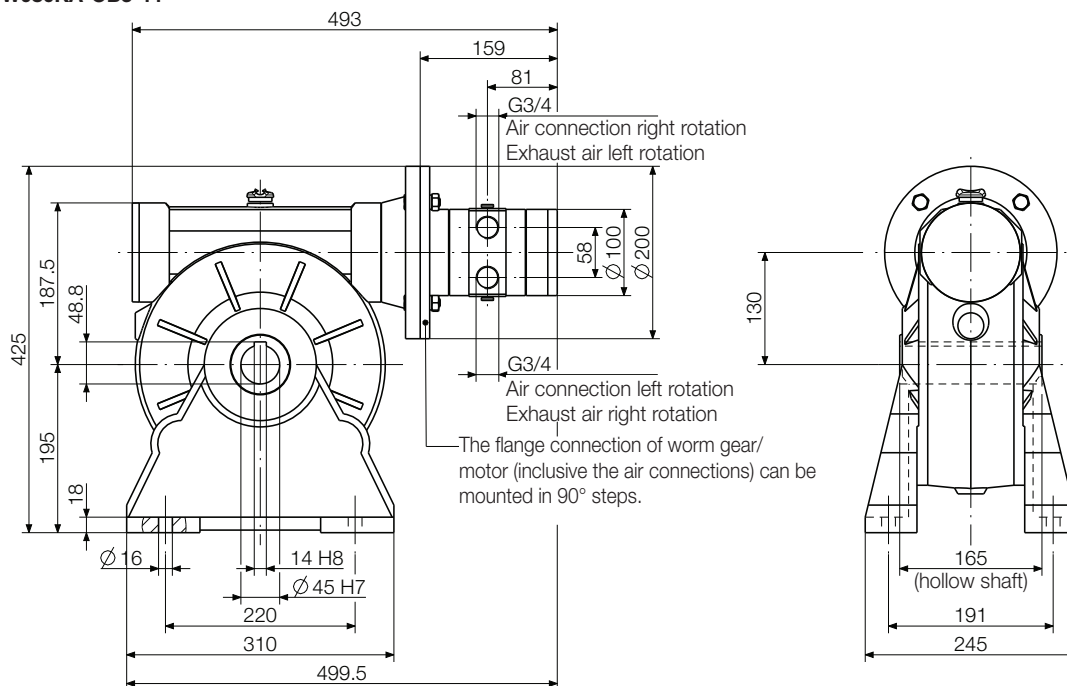
Design with flange F2
i.e. 68-W080F2-OB3-11



Design with flange F1
i.e. 68-W080F1-OB3-11



Design with bracket
i.e. 68-W080KA-OB3-11



3.2 kW POWER LINE motors with spur gears

The motors in this design series can be operated in either right- or left rotation. Alternatively, the motor can also be reversed by two external 3/2-way valves or one 5/3-way valve.

| Motor size 11 with spur gear | | Flange motor | | | | | |
|-------------------------------------|---------------------------|---|---|---|---|---|---|
| Motor, reversible | Type | 68-S006 | 68-S010 | 68-S020 | 68-S045 | 68-S093 | 68-S150 |
| | Part no. | F-...-11 444871A-C 1) | F-...-11 444872A-C 1) | F-...-11 444873A-C 1) | F-...-11 444874A-C 1) | F-...-11 446244A-C 1) | F-...-11 446245A-C 1) |
| Nominal power | kW / HP | 3.2 / 4.3 | 3.2 / 4.3 | 3.2 / 4.3 | 3.2 / 4.3 | 3.2 / 4.3 | 3.2 / 4.3 |
| Nominal speed | rpm | 565 | 365 | 175 | 80 | 40 | 20 |
| Speed (idling) | rpm | 800 2) | 520 2) | 250 2) | 110 2) | 55 2) | 30 2) |
| Nominal torque | Nm / in.lbs | 51 / 451.4 | 79.5 / 703.6 | 165 / 1460 | 362 / 3204 | 710 / 6284 | 1420 / 12567 |
| Start torque min. | Nm / in.lbs | 77 / 681.5 | 119 / 1053 | 248 / 2195 | 544 / 4814 | 1065 / 9425 | 2130 / 18850 |
| Permissible radial force max. | N / lbs | 660 / 147.8 | 1750 / 392 | 3290 / 737 | 5130 / 1149 | 10000 / 2240 | 16000 / 3584 |
| Permissible axial force max. | N / lbs | 132 / 29.6 | 350 / 78.4 | 658 / 147.4 | 1026 / 230 | 2000 / 448 | 3200 / 716.8 |
| Air consumption | m ³ /min / cfm | 3.9 / 137.7 | 3.9 / 137.7 | 3.9 / 137.7 | 3.9 / 137.7 | 3.9 / 137.7 | 3.9 / 137.7 |
| Weight | kg / lbs | 17.3 / 38 | 18.3 / 40.3 | 20.3 / 44.7 | 39.3 / 86.5 | 60.5 / 133.1 | 76 / 167.2 |
| Hose I.D., supply air/exhaust air | mm / in. | 19 ³ / ₄ / 25 ⁶³ / ₆₄ | 19 ³ / ₄ / 25 ⁶³ / ₆₄ | 19 ³ / ₄ / 25 ⁶³ / ₆₄ | 19 ³ / ₄ / 25 ⁶³ / ₆₄ | 19 ³ / ₄ / 25 ⁶³ / ₆₄ | 19 ³ / ₄ / 25 ⁶³ / ₆₄ |
| Gear type | | S122F | S222F | S322F | S412F | S513F | S613F |
| Max. gear torque for permanent load | Nm / in.lbs | 42 / 371.7 | 115 / 1018 | 235 / 2080 | 500 / 4425 | 1000 / 8850 | 1600 / 14160 |

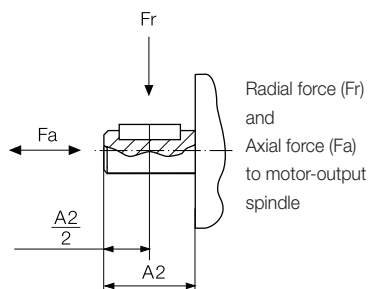
Performance data relate to an air pressure of 6 bar (85 PSI) and lubricated air

1) A / B / C = mounting position 0B5 / 0V1 / 0V3
(Example: mounting position 0V1 = Part no. XXXXXX B)
2) max. admissible speed (idling)

| Motor size 11 with spur gear | | Bracket motor | | | | | |
|-------------------------------------|---------------------------|---|---|---|---|---|---|
| Motor, reversible | Type | 68-S006 | 68-S010 | 68-S020 | 68-S045 | 68-S093 | 68-S150 |
| | Part no. | K-...-11 444877A-F 1) | K-...-11 444878A-F 1) | K-...-11 444879A-F 1) | K-...-11 444880A-F 1) | K-...-11 446246A-F 1) | K-...-11 446247A-F 1) |
| Nominal power | kW / HP | 3.2 / 4.3 | 3.2 / 4.3 | 3.2 / 4.3 | 3.2 / 4.3 | 3.2 / 4.3 | 3.2 / 4.3 |
| Nominal speed | rpm | 565 | 365 | 175 | 80 | 40 | 20 |
| Speed (idling) | rpm | 800 2) | 520 2) | 250 2) | 110 2) | 55 2) | 30 2) |
| Nominal torque | Nm / in.lbs | 51 / 451.4 | 79.5 / 703.6 | 165 / 1460 | 362 / 3204 | 710 / 6284 | 1420 / 12567 |
| Start torque min. | Nm / in.lbs | 77 / 681.5 | 119 / 1053 | 248 / 2195 | 544 / 4814 | 1065 / 9425 | 2130 / 18850 |
| Permissible radial force max. | N / lbs | 660 / 147.8 | 1750 / 392 | 3290 / 737 | 5130 / 1149 | 10000 / 2240 | 16000 / 3584 |
| Permissible axial force max. | N / lbs | 132 / 29.6 | 350 / 78.4 | 658 / 147.4 | 1026 / 230 | 2000 / 448 | 3200 / 716.8 |
| Air consumption | m ³ /min / cfm | 3.9 / 137.7 | 3.9 / 137.7 | 3.9 / 137.7 | 3.9 / 137.7 | 3.9 / 137.7 | 3.9 / 137.7 |
| Weight | kg / lbs | 17.3 / 38 | 18.3 / 40.3 | 20.3 / 44.7 | 39.3 / 86.5 | 60.5 / 133.1 | 76 / 167.2 |
| Hose I.D., supply air/exhaust air | mm / in. | 19 ³ / ₄ / 25 ⁶³ / ₆₄ | 19 ³ / ₄ / 25 ⁶³ / ₆₄ | 19 ³ / ₄ / 25 ⁶³ / ₆₄ | 19 ³ / ₄ / 25 ⁶³ / ₆₄ | 19 ³ / ₄ / 25 ⁶³ / ₆₄ | 19 ³ / ₄ / 25 ⁶³ / ₆₄ |
| Gear type | | S122K | S222K | S322K | S412K | S513K | S613K |
| Max. gear torque for permanent load | Nm / in.lbs | 42 / 371.7 | 115 / 1018 | 235 / 2080 | 500 / 4425 | 1000 / 8850 | 1600 / 14160 |

Performance data relate to an air pressure of 6 bar (85 PSI) and lubricated air

1) A / B / C / D / E / F = mounting position 0B3 / 0B6 / 0B7 / 0B8 / 0V5 / 0V6
(Example: mounting position 0B7 = Part no. XXXXXX C)
2) max. admissible speed (idling)



Optional equipment

| | | |
|-----------------|----------|---------|
| Spare parts kit | Part no. | 445034B |
|-----------------|----------|---------|

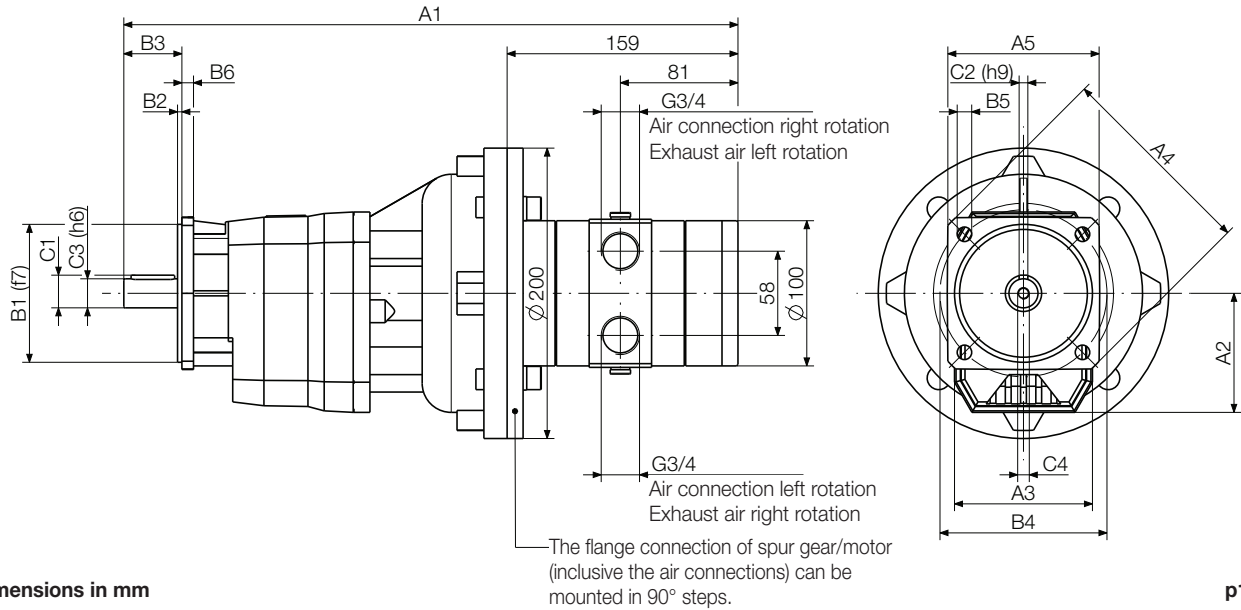
▶ **Mounting positions**
on page 39

▶ **Silencer**
on page 42

▶ **Maintenance unit**
on page 44

▶ **Model number description**
on page 46

Flange motor
i.e. 68-S006F-OB3-11



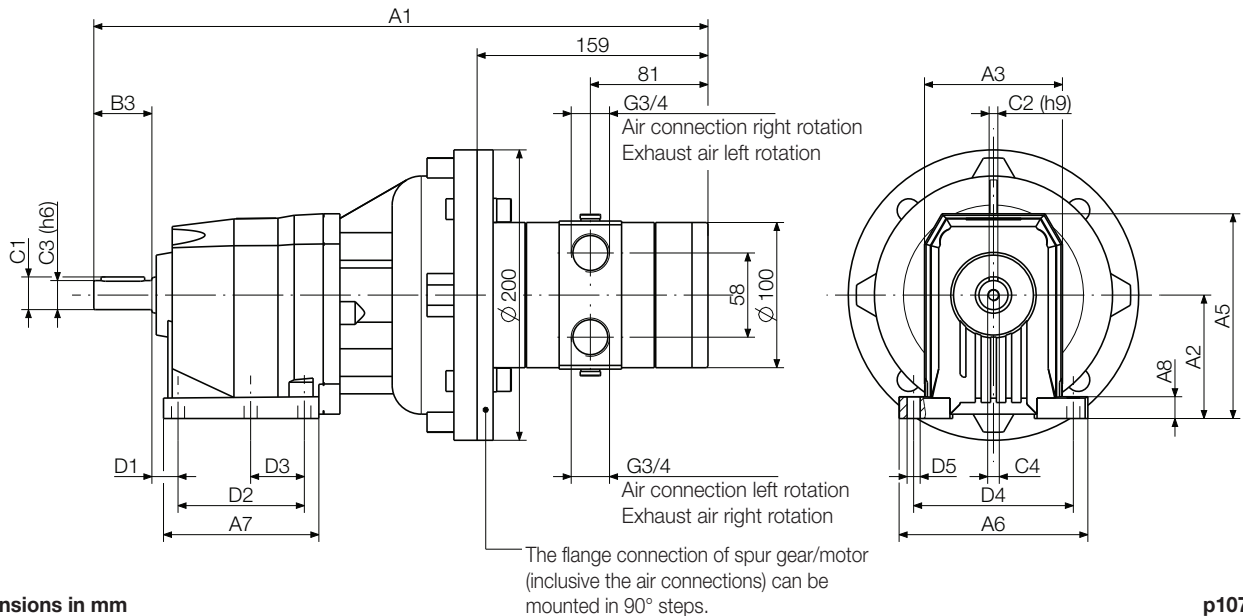
Dimensions in mm

p107204

Motor size 11

| Type | Dimensions flange motor (mm) | | | | | | | | | | | | | | |
|---------|------------------------------|-------|-----|-----|------|-----|-----|-----|-----|------|----|------|----|----|--------|
| | A1 | A2 | A3 | A4 | A5 | B1 | B2 | B3 | B4 | B5 | B6 | C1 | C2 | C3 | C4 |
| 68-S006 | 423 | 82 | 95 | 140 | □105 | 95 | 3 | 40 | 115 | 9.5 | 8 | 22.5 | 6 | 20 | M8x19 |
| 68-S010 | 451 | 94 | 110 | 160 | □110 | 110 | 3.5 | 50 | 130 | 10 | 10 | 28 | 8 | 25 | M8x19 |
| 68-S020 | 486 | 108 | 130 | 200 | □150 | 130 | 4 | 60 | 165 | 11.5 | 12 | 33 | 10 | 30 | M10x22 |
| 68-S045 | 515 | 128 | 155 | 250 | - | 180 | 4 | 70 | 215 | 14 | 13 | 38 | 10 | 35 | M10x22 |
| 68-S093 | 541 | 152 | 185 | 300 | - | 230 | 4 | 80 | 265 | 14 | 16 | 43 | 12 | 40 | M12x28 |
| 68-S150 | 594 | 178.5 | 210 | 350 | - | 250 | 5 | 100 | 300 | 18 | 18 | 53.5 | 14 | 50 | M16x36 |

Bracket motor
i.e. 68-S006K-OB3-11



Dimensions in mm



p107204

Motor size 11

| Type | Dimensions bracket motor (mm) | | | | | | | | | | | | | | | | |
|---------|-------------------------------|-----|-----|-----|-----|-------|----|-----|------|----|----|--------|------|-------|------|-----|----|
| | A1 | A2 | A3 | A5 | A6 | A7 | A8 | B3 | C1 | C2 | C3 | C4 | D1 | D2 | D3 | D4 | D5 |
| 68-S006 | 423 | 85 | 95 | 141 | 130 | 107 | 15 | 40 | 22.5 | 6 | 20 | M8x19 | 18 | 87 | 37 | 110 | 9 |
| 68-S010 | 451 | 100 | 110 | 166 | 155 | 137 | 17 | 50 | 28 | 8 | 25 | M8x19 | 18 | 107.5 | 47.5 | 130 | 11 |
| 68-S020 | 486 | 110 | 130 | 181 | 190 | 156 | 20 | 60 | 33 | 10 | 30 | M10x22 | 19.5 | 130 | 60 | 160 | 11 |
| 68-S045 | 515 | 130 | 155 | 223 | 216 | 185.5 | 18 | 70 | 38 | 10 | 35 | M10x22 | 19.5 | 149.5 | - | 180 | 14 |
| 68-S093 | 541 | 155 | 185 | 278 | 270 | 200 | 22 | 80 | 43 | 12 | 40 | M12x28 | 25 | 156 | - | 225 | 18 |
| 68-S150 | 594 | 195 | 210 | 316 | 300 | 232 | 25 | 100 | 53.5 | 14 | 50 | M16x36 | 25 | 180 | - | 250 | 18 |

5 kW POWER LINE motors

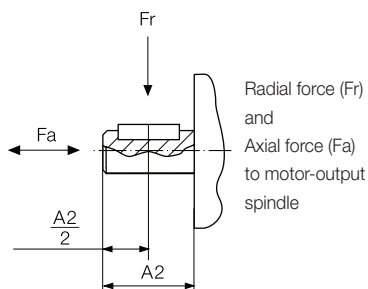
The motors in this design series can be operated in either right- or left rotation. Alternatively, the motor can also be reversed by two external 3/2-way valves or one 5/3-way valve.

| Motor size 13 | | Flange motor reversible | | | | |
|-----------------------------------|---|-------------------------|---|---|---|---|
| ATEX conform |  | Type | 68X-001F13/IEC90 | 68X-002F13/IEC100 | 68X-004F13/IEC100 | 68X-001F13/IEC90-VA |
| | | Part no. | without gear 440906B | spur gear 440905B | planetary gear 440904B | stainless design 110013A |
| ATEX certification | | | D | D | D | D |
| Nominal power | kW/HP | | 5 / 6.7 | 5 / 6.7 | 5 / 6.7 | 5 / 6.7 |
| Nominal speed | rpm | | 3000 | 1500 | 725 | 3000 |
| Speed (idling) | rpm | | 6000 | 3000 | 1450 | 6000 |
| Nominal torque | Nm/in.lbs | | 15.9 / 140.7 | 32 / 283.2 | 66 / 584.1 | 15.9 / 140.7 |
| Start torque min. | Nm/in.lbs | | 23.9 / 211.5 | 48 / 424.8 | 99 / 876 | 23.9 / 211.5 |
| Stall torque | Nm/in.lbs | | 30.2 / 267.27 | 60.5 / 535.4 | 124.3 / 1100 | 30.2 / 267.27 |
| Permissible radial force max. | N/lbs | | 320 / 71.68 | 1500 / 336 | 2100 / 470.4 | 180 / 40.32 |
| Permissible axial force max. | N/lbs | | 300 / 67.2 | 760 / 170.24 | 630 / 141.12 | 250 / 56 |
| Air consumption | m ³ /min/cfm | | 5.8 / 204.7 | 5.8 / 204.7 | 5.8 / 204.7 | 5.8 / 204.7 |
| Weight | kg/lbs | | 17 / 37.4 | 26 / 57.2 | 26.9 / 59.18 | 18,35 / 40.37 |
| Hose I.D., supply air/exhaust air | mm/in. | | 25 ⁶³ /64 / 32/1 ¹⁷ /64 | 25 ⁶³ /64 / 32/1 ¹⁷ /64 | 25 ⁶³ /64 / 32/1 ¹⁷ /64 | 25 ⁶³ /64 / 32/1 ¹⁷ /64 |
| Motor size 13 with holding brake | | Flange motor reversible | | | | |
| ATEX conform |  | Type | 68X-001F13B/IEC90 | 68X-002F13B/IEC100 | 68X-004F13B/IEC100 | |
| | | Part no. | without gear 444974C | spur gear 440656B | planetary gear 444974D | |
| ATEX certification | | | D | D | D | |
| without ATEX authorization | | | 68-001F13B/IEC80 | 68-002F13B/IEC100 | 68-004F13B/IEC100 | |
| | | | without gear 110913A | spur gear 110913B | planetary gear 110913C | |
| Nominal power | kW/HP | | 5 / 6.7 | 5 / 6.7 | 5 / 6.7 | |
| Nominal speed | rpm | | 3000 | 1500 | 725 | |
| Speed (idling) | rpm | | 6000 | 3000 | 1450 | |
| Nominal torque | Nm/in.lbs | | 15.9 / 140.7 | 32 / 283.2 | 66 / 584.1 | |
| Start torque min. | Nm/in.lbs | | 23.9 / 211.5 | 48 / 424.8 | 99 / 876 | |
| Stall torque | Nm/in.lbs | | 30.2 / 267.27 | 60.5 / 535.4 | 124.3 / 1100 | |
| Brake torque | Nm/in.lbs | | 31.8 / 281.43 | 64 / 566.4 | 132 / 1168.2 | |
| Permissible radial force max. | N/lbs | | 320 / 71.68 | 1500 / 336 | 2100 / 470.4 | |
| Permissible axial force max. | N/lbs | | 300 / 67.2 | 760 / 170.24 | 630 / 141.12 | |
| Air consumption | m ³ /min/cfm | | 5.8 / 204.7 | 5.8 / 204.7 | 5.8 / 204.7 | |
| Weight | kg/lbs | | 17 / 37.4 | 26 / 57.2 | 26.9 / 59.18 | |
| Hose I.D., supply air/exhaust air | mm/in. | | 25 ⁶³ /64 / 32/1 ¹⁷ /64 | 25 ⁶³ /64 / 32/1 ¹⁷ /64 | 25 ⁶³ /64 / 32/1 ¹⁷ /64 | |

Performance data relate to an air pressure of 6 bar (85 PSI) and lubricated air

Optional equipment

| | Part no. | 445035B | 445035D | 445035E | 107872A |
|---------------------------|----------|---------|---------|---------|---------|
| Spare parts kit | | | | | |
| Spare parts kit for brake | | | | | - |



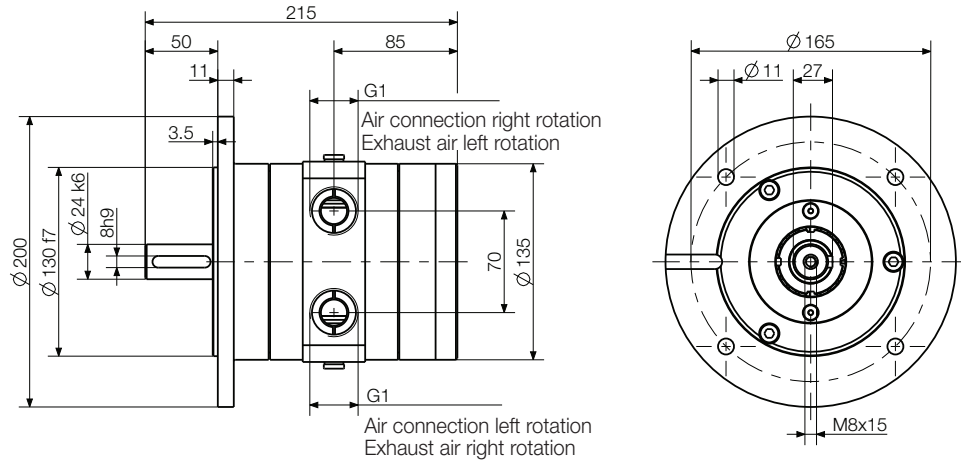
Holding brake (not ATEX conform) on page 40

Silencer on page 42

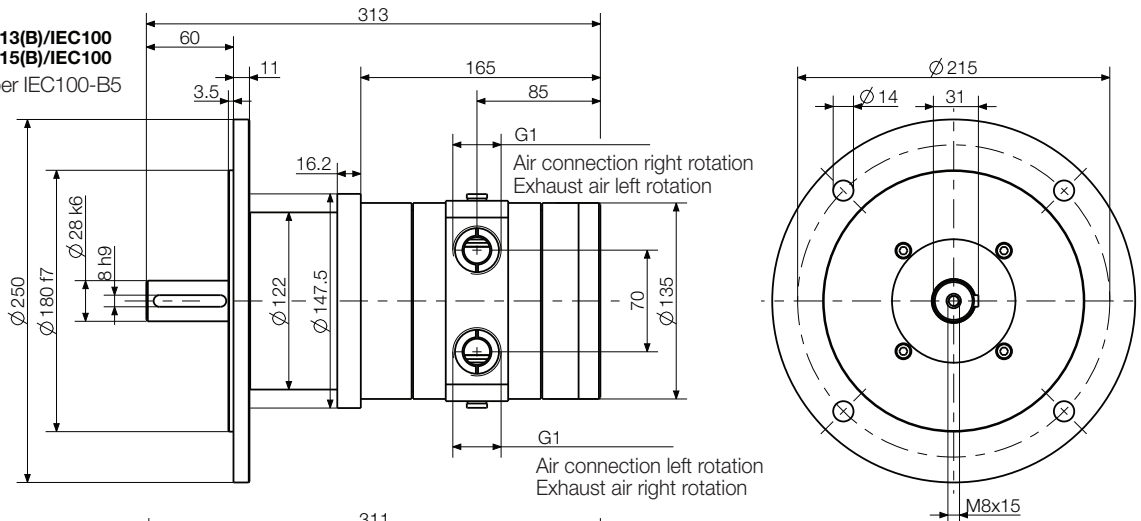
Maintenance unit on page 44

Model number description on page 46

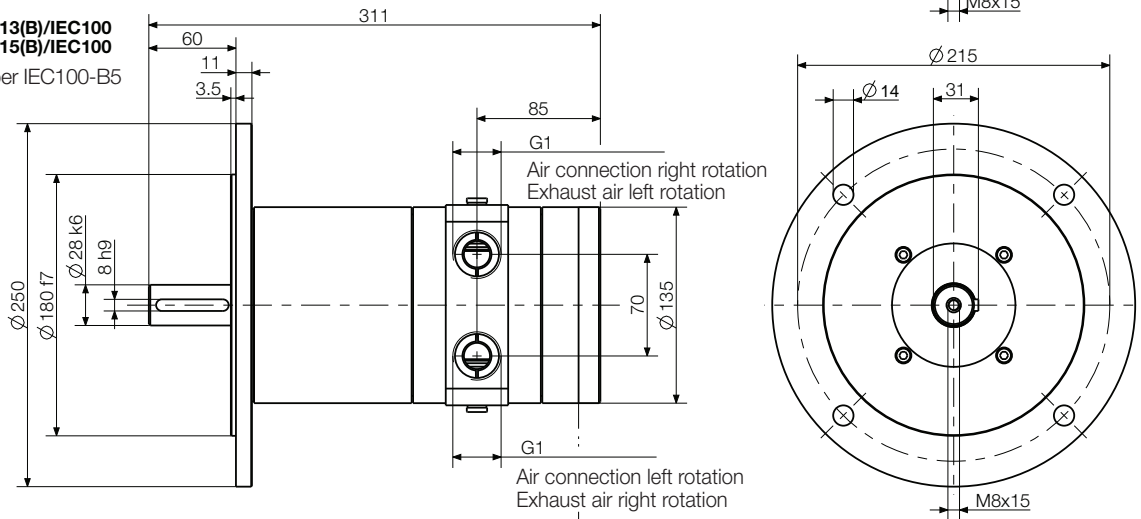
68(X)-001F13(B)/IEC90
68(X)-001F15(B)/IEC90
 Flange as per IEC90-B5



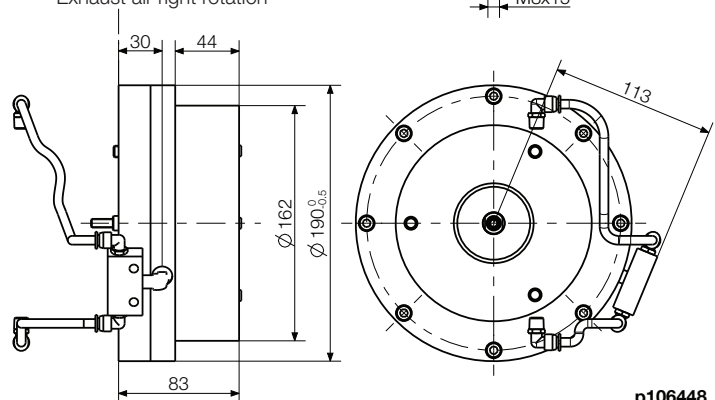
68(X)-002F13(B)/IEC100
68(X)-002F15(B)/IEC100
 Flange as per IEC100-B5



68(X)-004F13(B)/IEC100
68(X)-004F15(B)/IEC100
 Flange as per IEC100-B5



Braking system
446062C



Dimensions in mm

p106448

5 kW POWER LINE motors with worm gears

The motors in this design series can be operated in either right- or left rotation. Alternatively, the motor can also be reversed by two external 3/2-way valves or one 5/3-way valve.

| Motor size 13 with worm gear | | Universal mounting | | |
|-------------------------------------|---------------------------|--|--|--|
| Motor, reversible | Type Part no. | 68-W010U-...-13 102922A-F ¹⁾ | 68-W023U-...-13 102924A-F ¹⁾ | 68-W040U-...-13 446232A-F ¹⁾ |
| Nominal power | kW / HP | 5.0 / 6.7 | 5.0 / 6.7 | 5.0 / 6.7 |
| Nominal speed | rpm | 300 | 130 | 75 |
| Speed (idling) | rpm | 500 ²⁾ | 220 ²⁾ | 125 ²⁾ |
| Nominal torque | Nm / in.lbs | 143 / 1265.5 | 315 / 2788 | 509 / 4505 |
| Start torque min. | Nm / in.lbs | 160 / 1416 | 325 / 2876 | 439 / 3885 |
| Air consumption | m ³ /min / cfm | 5.8 / 204.7 | 5.8 / 204.7 | 5.8 / 204.7 |
| Weight | kg / lbs | 26.6 / 58.5 | 45 / 99 | 48 / 105.6 |
| Hose I.D., supply air/exhaust air | mm / in. | 25/ ⁶³ / ₆₄ / 32/ ¹¹⁷ / ₆₄ | 25/ ⁶³ / ₆₄ / 32/ ¹¹⁷ / ₆₄ | 25/ ⁶³ / ₆₄ / 32/ ¹¹⁷ / ₆₄ |
| Gear type | | W75U | W110U | W110U |
| Max. gear torque for permanent load | Nm / in.lbs | 205 / 1814 | 480 / 4248 | 595 / 5266 |

Performance data relate to an air pressure of 6 bar (85 PSI) and lubricated air

¹⁾ A / B / C / D / E / F = mounting position 0B3 / 0B6 / 0B7 / 0B8 / 0V5 / 0V6
(Example: mounting position 0B6 = Part no. XXXXXX B)

²⁾ max. admissible speed (idling)

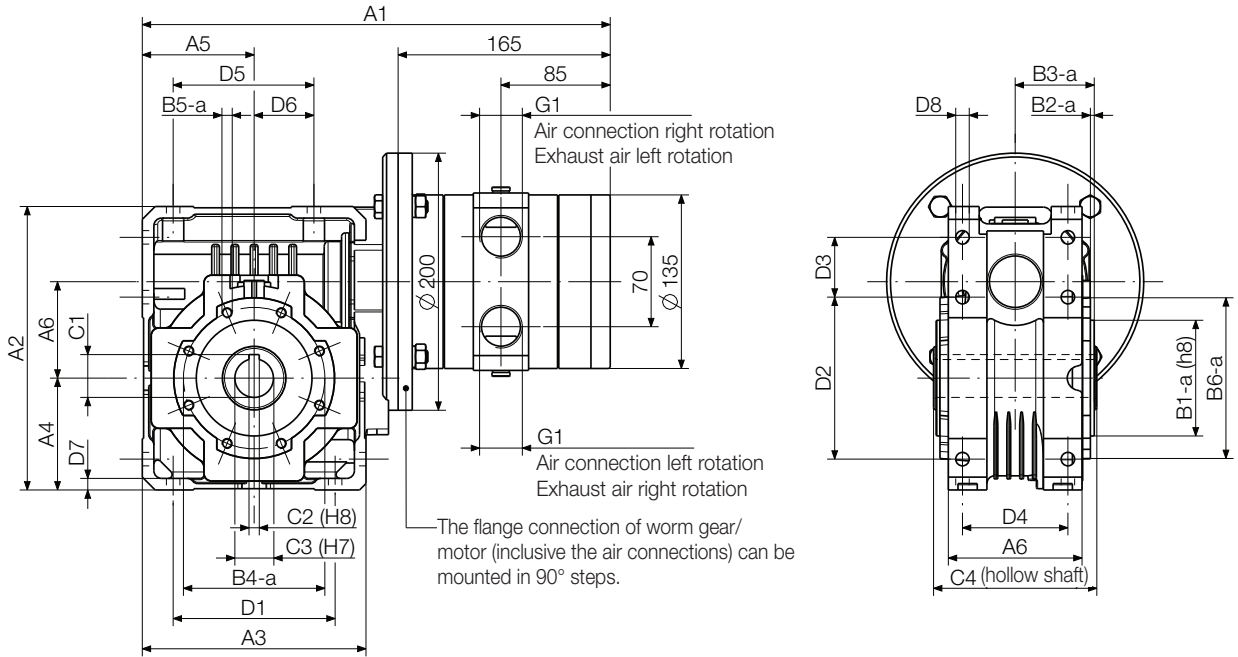
Using the universal mounting the motor can be fixed flexibly. As well as direct mounting, indirect mounting via a flange (F/FC) is also possible.

| Optional equipment | | |
|--------------------|----------|----------------|
| Spare parts kit | Part no. | 445035B |
| Flange | Part no. | see on page 41 |

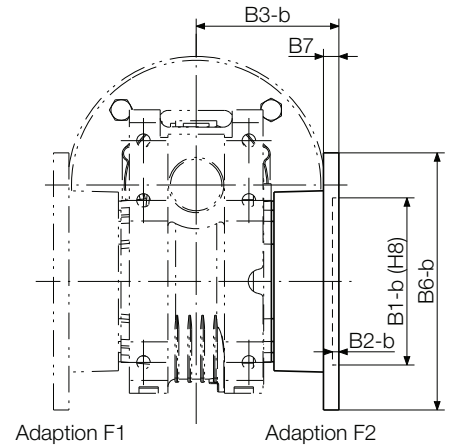
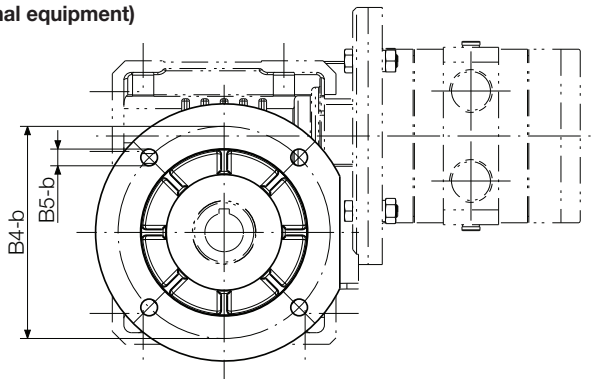
| Motor size 13 | | | | | | | | | | | | | | | | | | | | |
|---------------|-----------------|-------|-----|-----|-----|-------|------|------|------|-------|------|-------|-------|------|------|--------|------|------|------|--|
| Type | Dimensions (mm) | | | | | | | | | | | | | | | | | | | |
| | A1 | A2 | A3 | A4 | A5 | A6 | B1-a | B1-b | B2-a | B2-b | B3-a | B3-b | B3-c | B4-a | B4-b | B5-a | B5-b | B6-a | B6-b | |
| 68-W010U | 364 | 220.5 | 174 | 87 | 87 | 75 | 90 | 130 | 3 | 5 | 61.5 | 111 | 85 | 110 | 165 | M8x14 | 12.5 | 125 | 200 | |
| 68-W023U | 433 | 308 | 250 | 125 | 125 | 110.1 | 130 | 170 | 3.5 | 12 | 76.5 | 179.5 | 131.5 | 165 | 230 | M12x19 | 13 | 200 | 280 | |
| 68-W040U | | | | | | | | | | | | | | | | | | | | |
| | B7 | C1 | C2 | C3 | C4 | D1 | D2 | D3 | D4 | D5 | D6 | D7 | D8 | | | | | | | |
| 68-W010U | 12 | 33.3 | 8 | 30 | 127 | 126 | 126 | 46.5 | 82 | 109.5 | 46.5 | 9 | 10.5 | | | | | | | |
| 68-W023U | 20 | 45.3 | 12 | 42 | 155 | 184 | 184 | 58 | 115 | 174 | 82 | 14 | 14 | | | | | | | |
| 68-W040U | | | | | | | | | | | | | | | | | | | | |

| | | | |
|---|--|--|---------------------------------|
| ▶ Spindle designs on page 41 | ▶ Permissible radial and axial forces on page 41 | ▶ Flange designs F/FC on page 41 | ▶ Silencer on page 42 |
| ▶ Maintenance unit on page 44 | ▶ Model number description on page 46 | | |

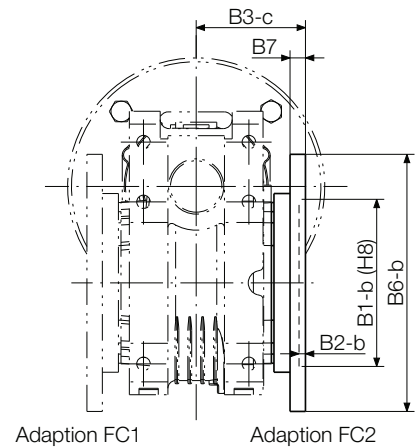
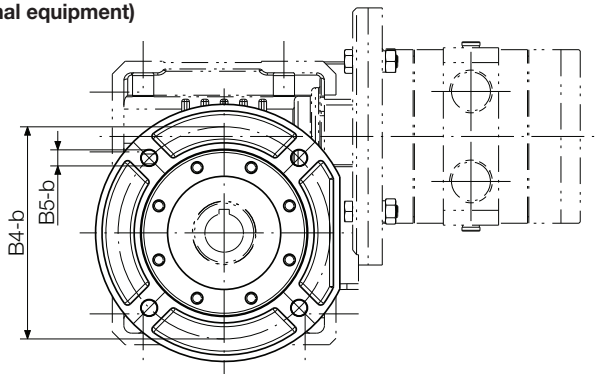
Standard design without flange
 i.e. 68-W010U-OB3-13



Flange F
 Adaption possible on both sides
 (optional equipment)



Flange FC
 Adaption possible on both sides
 (optional equipment)



Dimensions in mm

p107384

5 kW POWER LINE motors with worm gears

The motors in this design series can be operated in either right- or left rotation. Alternatively, the motor can also be reversed by two external 3/2-way valves or one 5/3-way valve.

| Motor size 13 with worm gear | | Flange motor | Bracket motor |
|-------------------------------------|---------------------------|--|---|
| Motor, reversible | Type Part no. | 68-W090F1-...-13 102933A-F ¹⁾ 68-W090F2-...-13 102933G-M ¹⁾ | 68-W090KA-...-13 102935A-F ¹⁾ |
| Nominal power | kW / HP | 5.0 / 6.7 | 5.0 / 6.7 |
| Nominal speed | rpm | 37 | 37 |
| Speed (idling) | rpm | 55 ²⁾ | 55 ²⁾ |
| Nominal torque | Nm / in.lbs | 980 / 8673 | 980 / 8673 |
| Start torque min. | Nm / in.lbs | 930 / 8230 | 930 / 8230 |
| Air consumption | m ³ /min / cfm | 5.8 / 204.7 | 5.8 / 204.7 |
| Weight | kg / lbs | 79 / 173.8 | 79 / 173.8 |
| Hose I.D., supply air/exhaust air | mm / in. | 25/ ⁶³ / ₆₄ / 32/ ¹⁷ / ₆₄ | 25/ ⁶³ / ₆₄ / 32/ ¹⁷ / ₆₄ |
| Gear type | | WR130F | WR130A |
| Max. gear torque for permanent load | Nm / in.lbs | 1250 / 11062 | 1250 / 11062 |

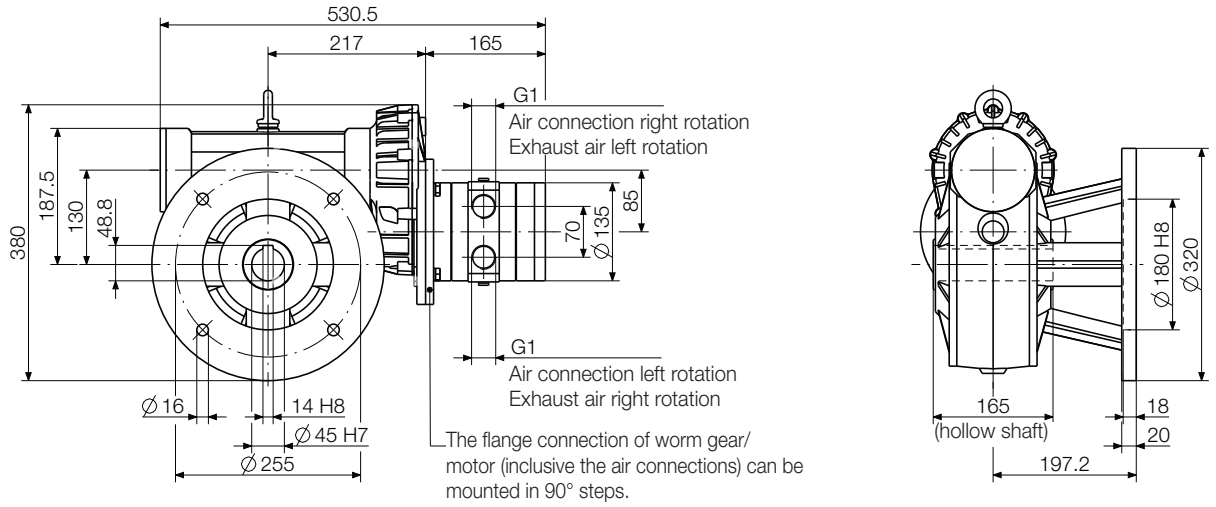
Performance data relate to an air pressure of 6 bar (85 PSI) and lubricated air

¹⁾ F1: A / B / C / D / E / F = mounting position 0B3 / 0B6 / 0B7 / 0B8 / 0V5 / 0V6
F2: G / H / I / K / L / M = mounting position 0B3 / 0B6 / 0B7 / 0B8 / 0V5 / 0V6
(Example: mounting position 0B6 = Part no. XXXXXX B)
²⁾ max. admissible speed (idling)

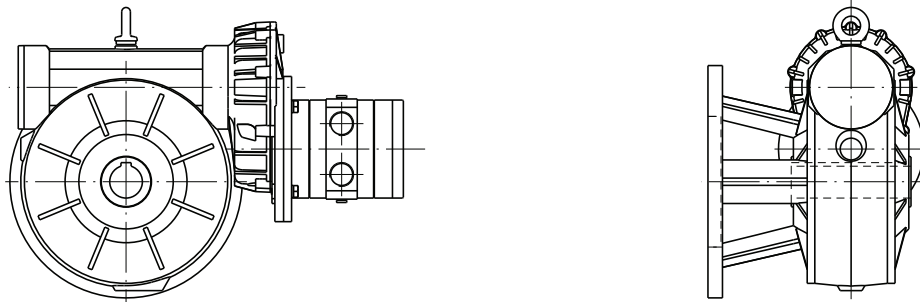
| Optional equipment | | |
|--------------------|----------|---------|
| Spare parts kit | Part no. | 445035B |

| | | | |
|---|--|--|---------------------------------|
| ▶ Mounting positions on page 38 | ▶ Permissible radial and axial forces on page 41 | ▶ Spindle designs on page 41 | ▶ Silencer on page 42 |
| ▶ Maintenance unit on page 44 | ▶ Model number description on page 46 | | |

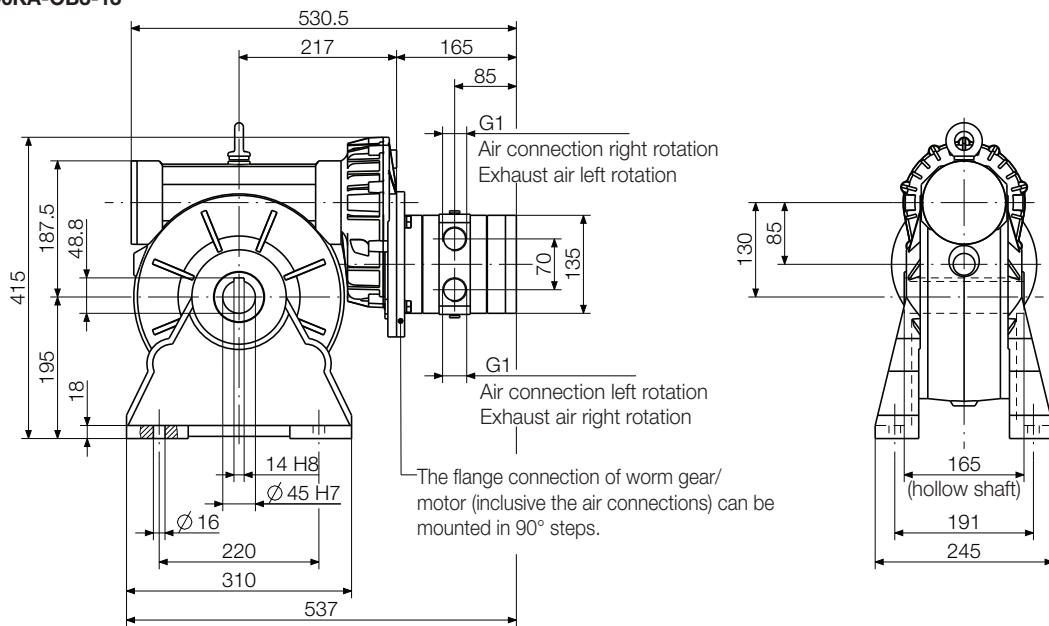
Design with flange F2
i.e. 68-W090F2-OB3-13



Design with flange F1
i.e. 68-W090F1-OB3-13



Design with bracket
i.e. 68-W090KA-OB3-13



5 kW POWER LINE motors with spur gears

The motors in this design series can be operated in either right- or left rotation. Alternatively, the motor can also be reversed by two external 3/2-way valves or one 5/3-way valve.

| Motor size 13 with spur gear | | Flange motor | | | | | |
|-------------------------------------|---------------------------|--|--|--|--|--|--|
| Motor, reversible | Type | 68-S005 F-...-13 | 68-S010 F-...-13 | 68-S020 F-...-13 | 68-S040 F-...-13 | 68-S083 F-...-13 | 68-S169 F-...-13 |
| | Part no. | 444891A-C ¹⁾ | 444892A-C ¹⁾ | 444893A-C ¹⁾ | 444894A-C ¹⁾ | 444895A-C ¹⁾ | 444896A-C ¹⁾ |
| Nominal power | kW / HP | 5.0 / 6.7 | 5.0 / 6.7 | 5.0 / 6.7 | 5.0 / 6.7 | 5.0 / 6.7 | 5.0 / 6.7 |
| Nominal speed | rpm | 625 | 310 | 150 | 74 | 36 | 18 |
| Speed (idling) | rpm | 1050 ²⁾ | 520 ²⁾ | 250 ²⁾ | 125 ²⁾ | 60 ²⁾ | 30 ²⁾ |
| Nominal torque | Nm / in.lbs | 72 / 637.2 | 146 / 1292 | 302 / 2673 | 612 / 5416 | 1230 / 10885 | 2460 / 21771 |
| Start torque min. | Nm / in.lbs | 108 / 956 | 220 / 1947 | 450 / 3982 | 920 / 8142 | 1850 / 16372 | 3700 / 32745 |
| Permissible radial force max. | N / lbs | 1370 / 307 | 2580 / 578 | 3880 / 869 | 8870 / 1987 | 14500 / 3248 | 35000 / 7840 |
| Permissible axial force max. | N / lbs | 274 / 61 | 516 / 116 | 776 / 174 | 1770 / 396 | 2900 / 650 | 7000 / 1568 |
| Air consumption | m ³ /min / cfm | 5.8 / 204.7 | 5.8 / 204.7 | 5.8 / 204.7 | 5.8 / 204.7 | 5.8 / 204.7 | 5.8 / 204.7 |
| Weight | kg / lbs | 24.6 / 54 | 27 / 59.4 | 46 / 101.2 | 67.2 / 147.8 | 82.5 / 181.5 | 164 / 360.8 |
| Hose I.D., supply air/exhaust air | mm / in. | 25 ⁶³ / ₆₄ / 32 ¹¹⁷ / ₆₄ | 25 ⁶³ / ₆₄ / 32 ¹¹⁷ / ₆₄ | 25 ⁶³ / ₆₄ / 32 ¹¹⁷ / ₆₄ | 25 ⁶³ / ₆₄ / 32 ¹¹⁷ / ₆₄ | 25 ⁶³ / ₆₄ / 32 ¹¹⁷ / ₆₄ | 25 ⁶³ / ₆₄ / 32 ¹¹⁷ / ₆₄ |
| Gear type | | S222F | S322F | S412F | S512F | S613F | S803F |
| Max. gear torque for permanent load | Nm / in.lbs | 80 / 708 | 175 / 1549 | 385 / 3407 | 795 / 7036 | 1600 / 14160 | 4000 / 35400 |

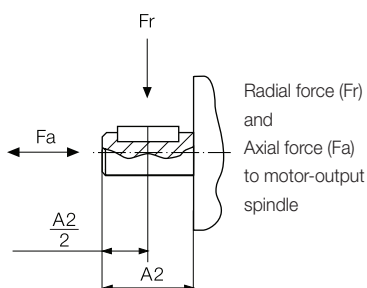
Performance data relate to an air pressure of 6 bar (85 PSI) and lubricated air

¹⁾ A / B / C = mounting position 0B5 / 0V1 / 0V3
(Example: mounting position 0V1 = Part no. XXXXXX B)
²⁾ max. admissible speed (idling)

| Motor size 13 with spur gear | | Bracket motor | | | | | |
|-------------------------------------|---------------------------|--|--|--|--|--|--|
| Motor, reversible | Type | 68-S005 K-...-13 | 68-S010 K-...-13 | 68-S020 K-...-13 | 68-S040 K-...-13 | 68-S083 K-...-13 | 68-S169 K-...-13 |
| | Part no. | 444897A-F ¹⁾ | 444898A-F ¹⁾ | 444899A-F ¹⁾ | 444900A-F ¹⁾ | 444901A-F ¹⁾ | 444902A-F ¹⁾ |
| Nominal power | kW / HP | 5.0 / 6.7 | 5.0 / 6.7 | 5.0 / 6.7 | 5.0 / 6.7 | 5.0 / 6.7 | 5.0 / 6.7 |
| Nominal speed | rpm | 625 | 310 | 150 | 74 | 36 | 18 |
| Speed (idling) | rpm | 1050 ²⁾ | 520 ²⁾ | 250 ²⁾ | 125 ²⁾ | 60 ²⁾ | 30 ²⁾ |
| Nominal torque | Nm / in.lbs | 72 / 637.2 | 146 / 1292 | 302 / 2673 | 612 / 5416 | 1230 / 10885 | 2460 / 21771 |
| Start torque min. | Nm / in.lbs | 108 / 956 | 220 / 1947 | 450 / 3982 | 920 / 8142 | 1850 / 16372 | 3700 / 32745 |
| Permissible radial force max. | N / lbs | 1370 / 307 | 2580 / 578 | 3880 / 869 | 8870 / 1987 | 14500 / 3248 | 35000 / 7840 |
| Permissible axial force max. | N / lbs | 274 / 61 | 516 / 116 | 776 / 174 | 1770 / 396 | 2900 / 650 | 7000 / 1568 |
| Air consumption | m ³ /min / cfm | 5.8 / 204.7 | 5.8 / 204.7 | 5.8 / 204.7 | 5.8 / 204.7 | 5.8 / 204.7 | 5.8 / 204.7 |
| Weight | kg / lbs | 24.6 / 54 | 27 / 59.4 | 46 / 101.2 | 67.2 / 147.8 | 82.5 / 181.5 | 164 / 360.8 |
| Hose I.D., supply air/exhaust air | mm / in. | 25 ⁶³ / ₆₄ / 32 ¹¹⁷ / ₆₄ | 25 ⁶³ / ₆₄ / 32 ¹¹⁷ / ₆₄ | 25 ⁶³ / ₆₄ / 32 ¹¹⁷ / ₆₄ | 25 ⁶³ / ₆₄ / 32 ¹¹⁷ / ₆₄ | 25 ⁶³ / ₆₄ / 32 ¹¹⁷ / ₆₄ | 25 ⁶³ / ₆₄ / 32 ¹¹⁷ / ₆₄ |
| Gear type | | S222K | S322K | S412K | S512K | S613K | S803K |
| Max. gear torque for permanent load | Nm / in.lbs | 80 / 708 | 175 / 1549 | 385 / 3407 | 795 / 7036 | 1600 / 14160 | 4000 / 35400 |

Performance data relate to an air pressure of 6 bar (85 PSI) and lubricated air

¹⁾ A / B / C / D / E / F = mounting position 0B3 / 0B6 / 0B7 / 0B8 / 0V5 / 0V6
(Example: mounting position 0B7 = Part no. XXXXXX C)
²⁾ max. admissible speed (idling)



Optional equipment

| | | |
|-----------------|----------|---------|
| Spare parts kit | Part no. | 445035B |
|-----------------|----------|---------|

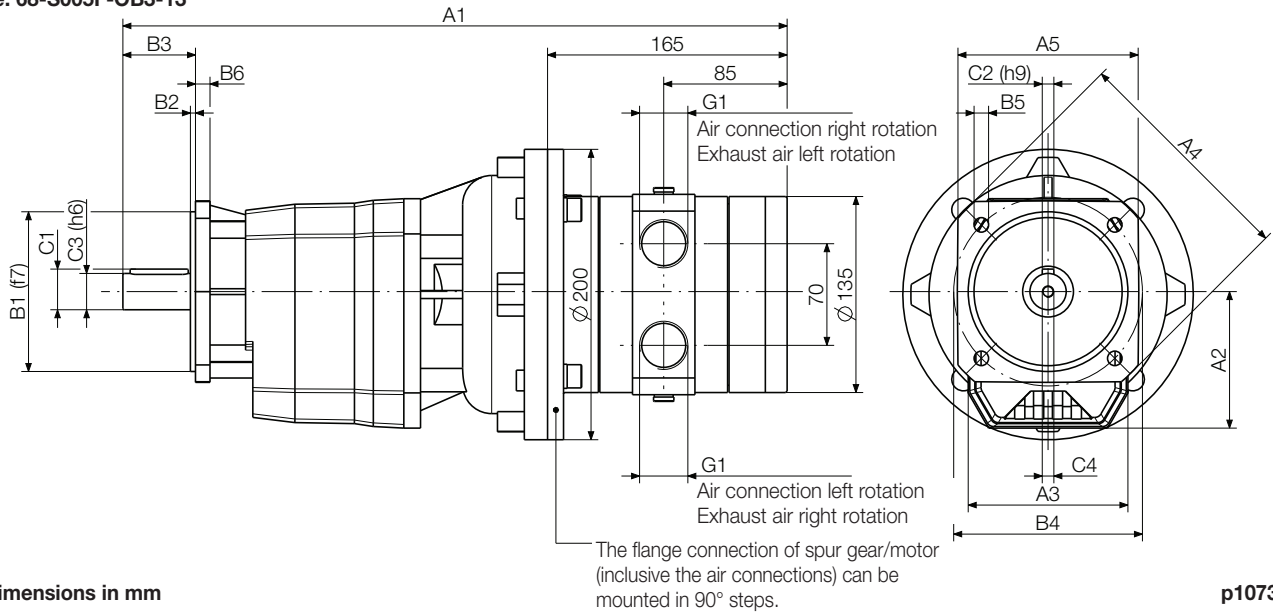
▶ **Mounting positions**
on page 39

▶ **Silencer**
on page 42

▶ **Maintenance unit**
on page 44

▶ **Model number description**
on page 46

Flange motor
i.e. 68-S005F-OB3-13



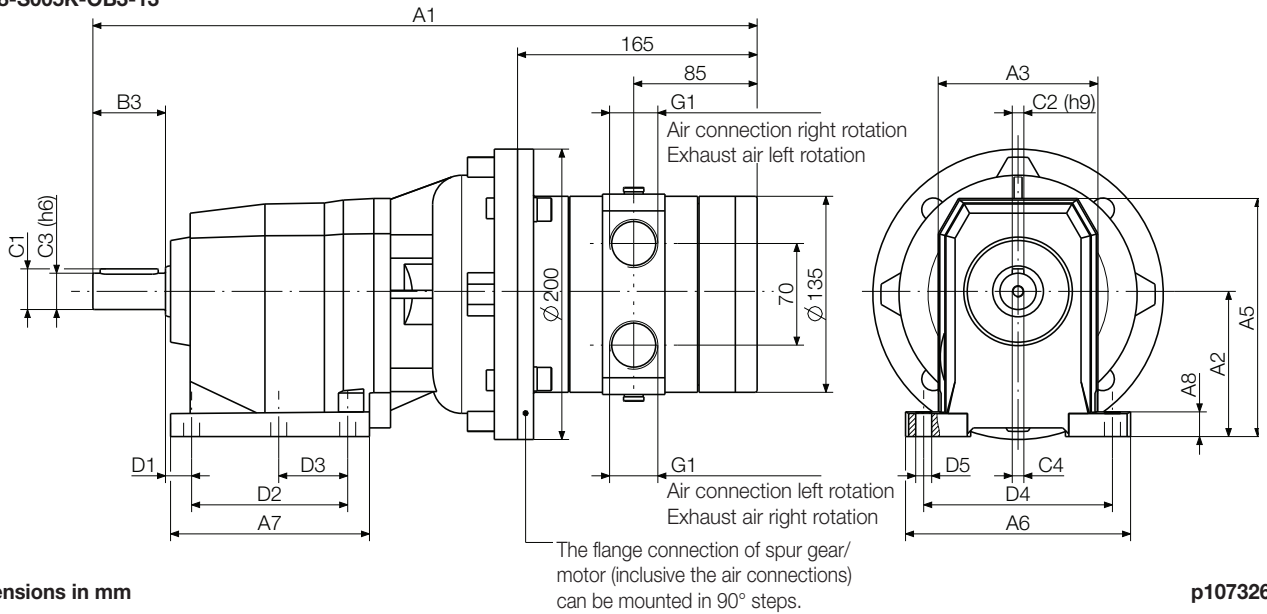
Dimensions in mm

p107326

Motor size 13

| Type | Dimensions flange motor (mm) | | | | | | | | | | | | | | |
|---------|------------------------------|-------|-----|-----|------|-----|-----|-----|-----|------|----|------|----|----|--------|
| | A1 | A2 | A3 | A4 | A5 | B1 | B2 | B3 | B4 | B5 | B6 | C1 | C2 | C3 | C4 |
| 68-S005 | 458 | 94 | 110 | 160 | □110 | 110 | 3.5 | 50 | 130 | 9.5 | 10 | 28 | 8 | 25 | M8x19 |
| 68-S010 | 492 | 108 | 130 | 200 | □150 | 130 | 3.5 | 60 | 165 | 11.5 | 12 | 33 | 8 | 30 | M10x22 |
| 68-S020 | 521 | 128 | 155 | 250 | - | 180 | 4 | 70 | 215 | 14 | 13 | 38 | 10 | 35 | M12x28 |
| 68-S040 | 547 | 152 | 185 | 300 | - | 230 | 4 | 80 | 265 | 14 | 16 | 43 | 12 | 40 | M12x28 |
| 68-S083 | 600 | 178.5 | 210 | 350 | - | 250 | 5 | 100 | 300 | 18 | 18 | 53.5 | 14 | 50 | M16x36 |
| 68-S169 | 698 | 247 | 320 | 400 | □350 | 300 | 5 | 140 | 350 | 18 | 20 | 85 | 22 | 80 | M20x42 |

Bracket motor
i.e. 68-S005K-OB3-13



Dimensions in mm



p107326

Motor size 13

| Type | Dimensions bracket motor (mm) | | | | | | | | | | | | | | | | | | |
|---------|-------------------------------|-----|-----|-----|-----|-------|----|-----|------|----|----|--------|------|-------|------|-----|----|--|--|
| | A1 | A2 | A3 | A5 | A6 | A7 | A8 | B3 | C1 | C2 | C3 | C4 | D1 | D2 | D3 | D4 | D5 | | |
| 68-S005 | 458 | 100 | 110 | 166 | 155 | 137 | 17 | 50 | 28 | 8 | 25 | M8x19 | 18 | 107.5 | 47.5 | 130 | | | |
| 68-S010 | 492 | 110 | 130 | 181 | 190 | 156 | 20 | 60 | 33 | 8 | 30 | M10x22 | 18 | 130 | 60 | 160 | 11 | | |
| 68-S020 | 521 | 130 | 155 | 223 | 216 | 185.5 | 18 | 70 | 38 | 10 | 35 | M12x28 | 19.5 | 149.5 | - | 180 | 14 | | |
| 68-S040 | 547 | 155 | 185 | 278 | 270 | 200 | 22 | 80 | 43 | 12 | 40 | M12x28 | 25 | 156 | - | 225 | 18 | | |
| 68-S083 | 600 | 195 | 210 | 316 | 300 | 232 | 25 | 100 | 53.5 | 14 | 50 | M16x36 | 25 | 180 | - | 250 | 18 | | |
| 68-S169 | 698 | 250 | 320 | 420 | 440 | 277 | 35 | 140 | 85 | 22 | 80 | M20x42 | 33 | 210 | - | 370 | 26 | | |

6 kW POWER LINE motors

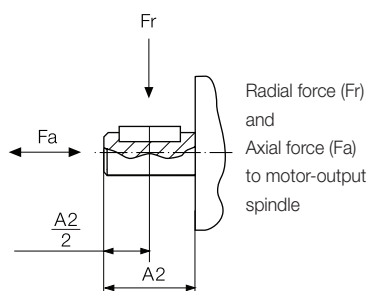
The motors in this design series can be operated in either right- or left rotation.
Alternatively, the motor can also be reversed by two external 3/2-way valves or one 5/3-way valve.

| Motor size 15 | | Flange motor reversible | | | | |
|---|---|---|---|---|----------------------------|-----------------------------|
| ATEX conform |  | Type | 68X-001F15/IEC90 | 68X-002F15/IEC100 | 68X-004F15/IEC100 | 68X-001F15/IEC90-VA |
| | | Part no. | without gear 4408001A | spur gear 4408001B | planetary gear 4408001C | stainless design 110015A |
| ATEX certification | | | D | D | D | D |
| Nominal power | kW/HP | 6 / 8 | 6 / 8 | 6 / 8 | 6 / 8 | 6 / 8 |
| Nominal speed | rpm | 3500 | 1700 | 800 | 3500 | 3500 |
| Speed (idling) | rpm | 7000 | 3500 | 1600 | 7000 | 7000 |
| Nominal torque | Nm/in.lbs | 16.4 / 145 | 33.7 / 298.2 | 71 / 628.3 | 16,4 | 16,4 |
| Start torque min. | Nm/in.lbs | 24.6 / 217.7 | 50.6 / 447.8 | 107 / 947 | 24,6 | 24,6 |
| Stall torque | Nm/in.lbs | 31.1 / 275.2 | 64 / 566.4 | 136.10 / 1204.5 | 31.1 / 275.2 | 31.1 / 275.2 |
| Permissible radial force max. | N/lbs | 270 / 60.5 | 1400 / 313.6 | 2000 / 448 | 140 / 31.36 | 140 / 31.36 |
| Permissible axial force max. | N/lbs | 280 / 62.72 | 730 / 163.5 | 600 / 134.4 | 230 / 51.52 | 230 / 51.52 |
| Air consumption | m ³ /min/cfm | 7.9 / 278.9 | 7.9 / 278.9 | 7.9 / 278.9 | 7,9 | 7,9 |
| Weight | kg/lbs | 17 / 37.4 | 25.8 / 56.7 | 26.8 / 59 | 18,35 | 18,35 |
| Hose I.D., supply air/exhaust air | mm/in. | 25 ⁶³ /64 / 32/1 ¹⁷ /64 | 25 ⁶³ /64 / 32/1 ¹⁷ /64 | 25 ⁶³ /64 / 32/1 ¹⁷ /64 | 25/32 | 25/32 |
| Motor size 15 with holding brake | | Flange motor reversible | | | | |
| ATEX conform |  | Type | 68X-001F15B/IEC90 | 68X-002F15B/IEC100 | 68X-004F15B/IEC100 | |
| | | Part no. | without gear 440801A | spur gear 440801B | planetary gear 440801C | |
| ATEX certification | | | D | D | D | |
| without ATEX authorization | | | 68-001F15B/IEC80 | 68-002F15B/IEC100 | 68-004F15B/IEC100 | |
| | | | without gear 110915A | spur gear 110915B | planetary gear 110915C | |
| Nominal power | kW/HP | 6 / 8 | 6 / 8 | 6 / 8 | | |
| Nominal speed | rpm | 3500 | 1700 | 800 | | |
| Speed (idling) | rpm | 7000 | 3500 | 1600 | | |
| Nominal torque | Nm/in.lbs | 16.4 / 145 | 33.7 / 298.2 | 71 / 628.3 | | |
| Start torque min. | Nm/in.lbs | 24.6 / 217.7 | 50.6 / 447.8 | 107 / 947 | | |
| Stall torque | Nm/in.lbs | 31.1 / 275.2 | 64 / 566.4 | 136.10 / 1204.5 | | |
| Brake torque | Nm/in.lbs | 32.8 / 290.28 | 67.4 / 596.5 | 142 / 1256.7 | | |
| Permissible radial force max. | N/lbs | 270 / 60.5 | 1400 / 313.6 | 2000 / 448 | | |
| Permissible axial force max. | N/lbs | 280 / 62.72 | 730 / 163.5 | 600 / 134.4 | | |
| Air consumption | m ³ /min/cfm | 7.9 / 278.9 | 7.9 / 278.9 | 7.9 / 278.9 | | |
| Weight | kg/lbs | 17 / 37.4 | 25.8 / 56.7 | 26.8 / 59 | | |
| Hose I.D., supply air/exhaust air | mm/in. | 25 ⁶³ /64 / 32/1 ¹⁷ /64 | 25 ⁶³ /64 / 32/1 ¹⁷ /64 | 25 ⁶³ /64 / 32/1 ¹⁷ /64 | | |

Performance data relate to an air pressure of 6 bar (85 PSI) and lubricated air

Optional equipment

| | Part no. | 445035B | 445035D | 445035E | 107872A |
|---------------------------|----------|---------|---------|---------|---------|
| Spare parts kit | | | | | |
| Spare parts kit for brake | | | | | - |



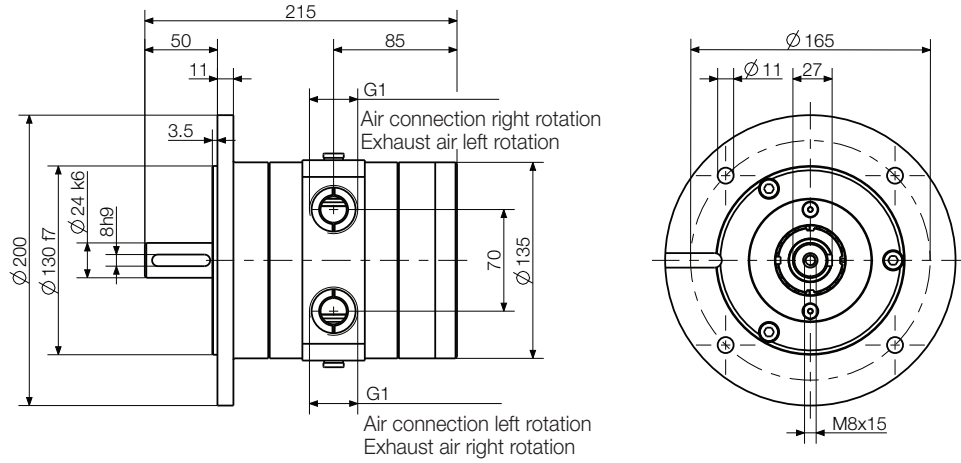
Holding brake (not ATEX conform) on page 40

Silencer on page 42

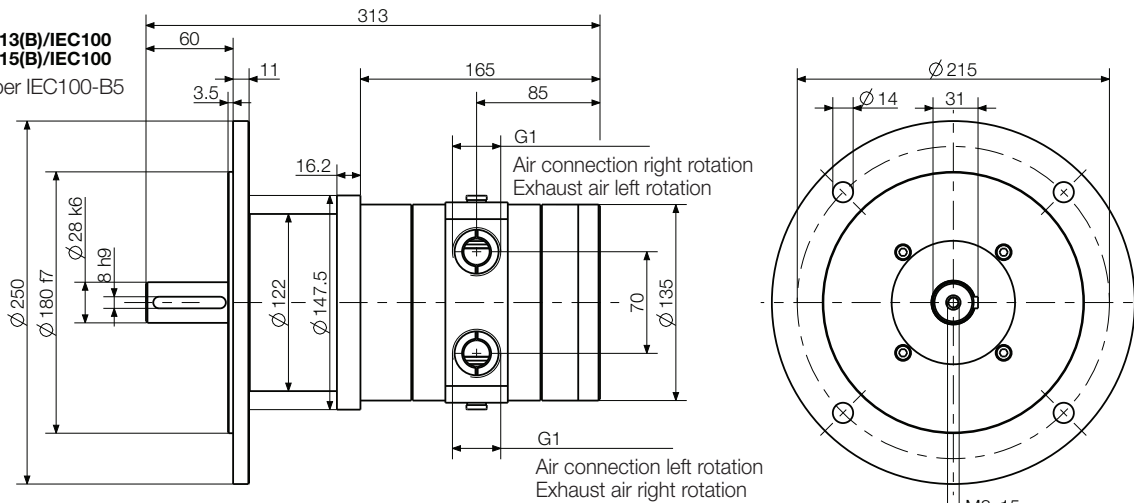
Maintenance unit on page 44

Model number description on page 46

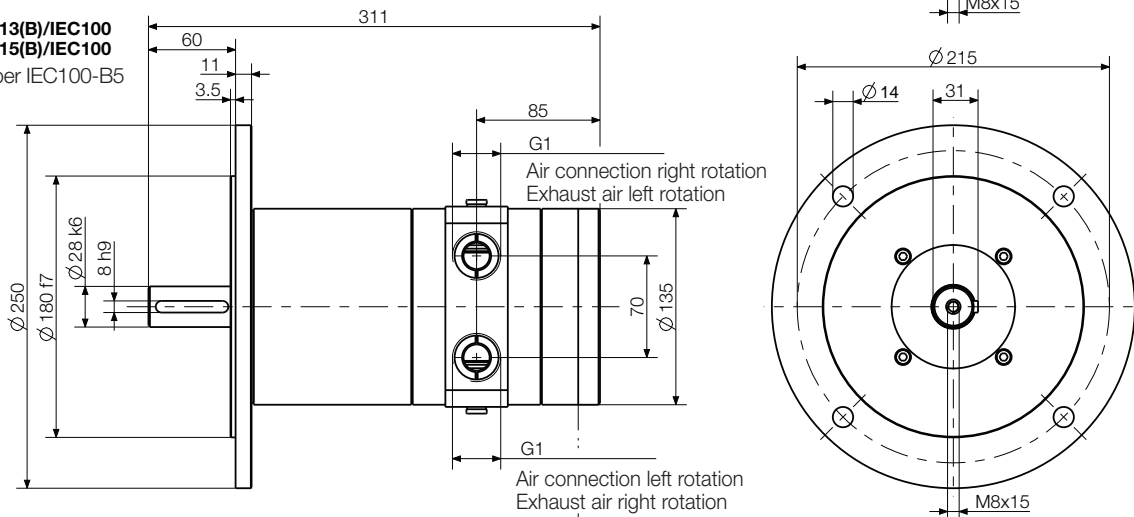
68(X)-001F13(B)/IEC90
68(X)-001F15(B)/IEC90
 Flange as per IEC90-B5



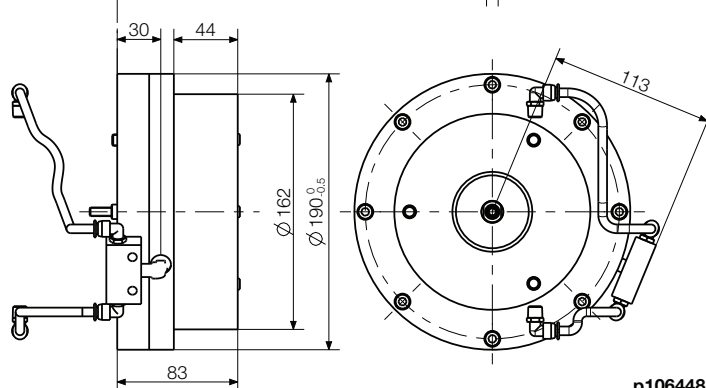
68(X)-002F13(B)/IEC100
68(X)-002F15(B)/IEC100
 Flange as per IEC100-B5



68(X)-004F13(B)/IEC100
68(X)-004F15(B)/IEC100
 Flange as per IEC100-B5




Braking system
446062C



Dimensions in mm

9 kW / 18 kW POWER LINE motors without gears

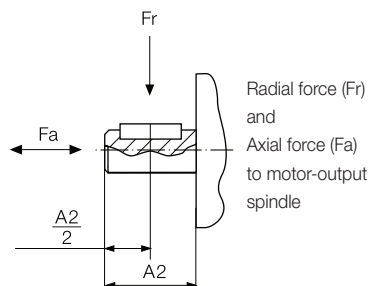
The motors in this design series can be operated in either right- or left rotation. Alternatively, the motor can also be reversed by two external 3/2-way valves or one 5/3-way valve.

| Motor design without gearing | | Flange motor | |
|-----------------------------------|---|---------------------------|---------------------------|
| Motor size | | 55 | 65 |
| Motor, reversible |  | 68X-001F55/IEC112A | 68X-001F65/IEC112A |
| Type | Part no. | 123055A | 123065A |
| ATEX certification | | C | C |
| Nominal power | kW / HP | 9 / 12 | 18 / 24 |
| Nominal speed | rpm | 3000 | 3000 |
| Permissible speed max. | rpm | 4700 | 5300 |
| Nominal torque | Nm/in.lbs | 28.6 / 253 | 57 / 504 |
| Start torque min. | Nm/in.lbs | 43 / 380 | 85 / 752 |
| Stall torque | Nm/in.lbs | 54 / 478 | 108 / 955.8 |
| Permissible radial force max. | N / lbs | 2200 / 492.8 | 2400 / 537.6 |
| Permissible axial force max. | N / lbs | 700 / 156.8 | 700 / 156.8 |
| Air consumption | m ³ /min / cfm | 10 / 353 | 20 / 706 |
| Weight | kg / lbs | 33 / 72.6 | 54 / 118.8 |
| Hose I.D., supply air/exhaust air | mm / in. | 25/63/64 / 32/117/64 | 43/1.68 / 63.5/2.48 |

Performance data relate to an air pressure of 6 bar (85 PSI) and lubricated air

| Optional equipment | | Motor size 55 | Motor size 65 |
|--------------------|----------|---------------|---------------|
| Bracket | Part no. | 440648 | 440648 |
| Spare parts kit | Part no. | 440246C | 440246B |

18 kW POWER LINE motor with IEC flange



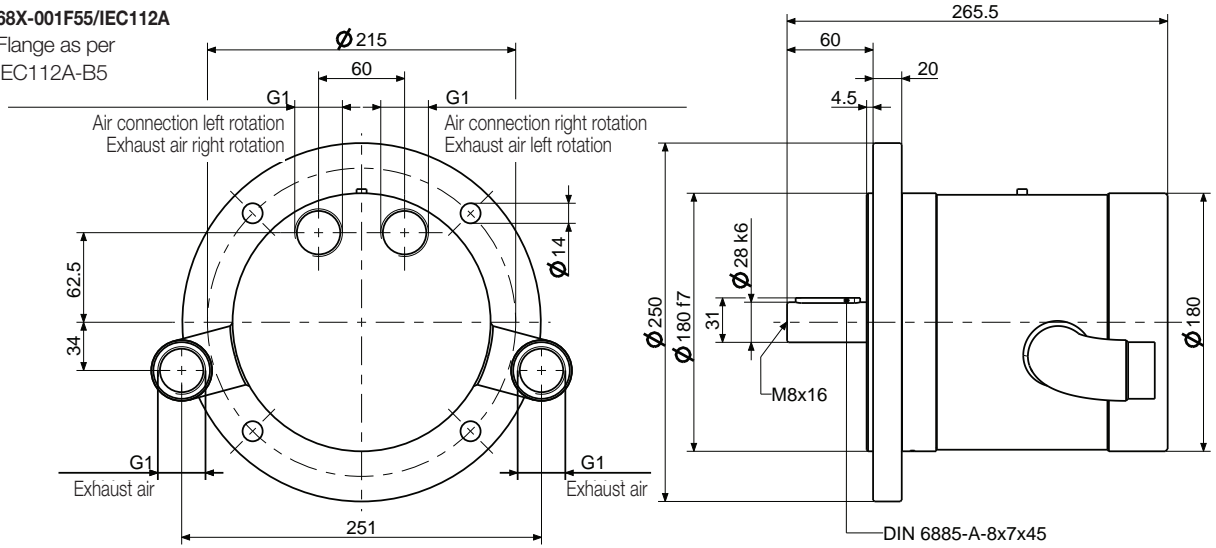
Mounting positions
on page 39

Silencer
on page 42

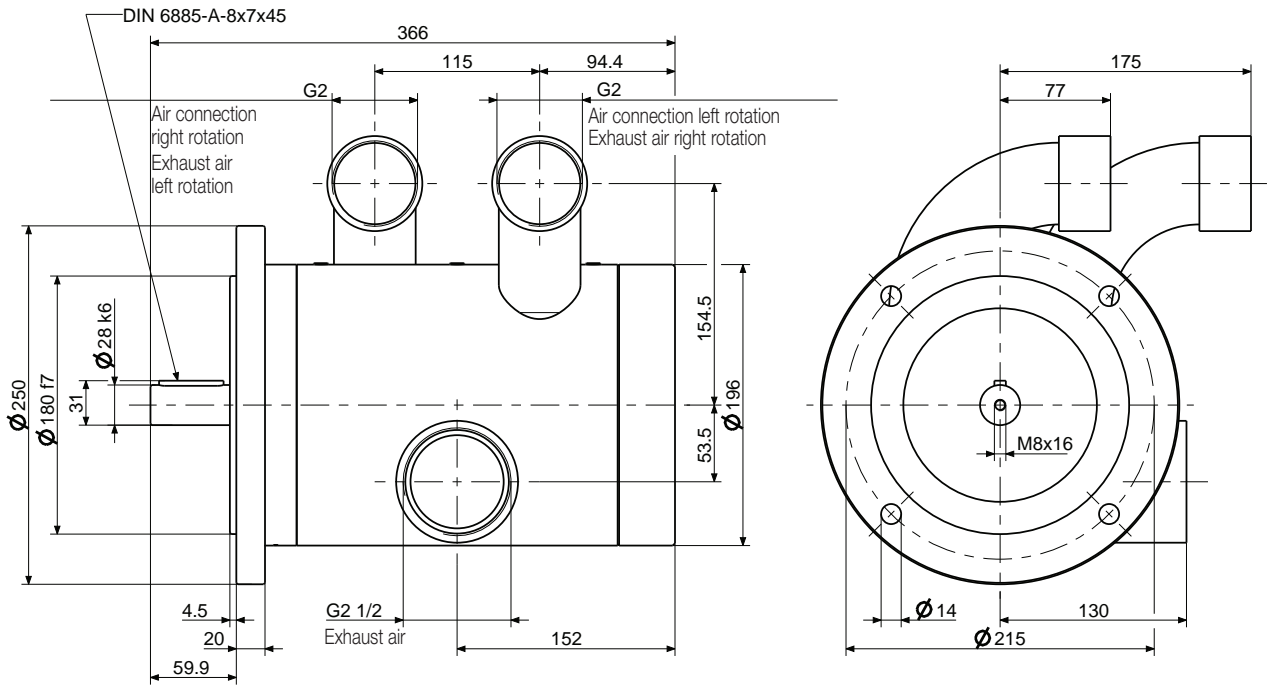
Maintenance unit
on page 44

Model number description
on page 46

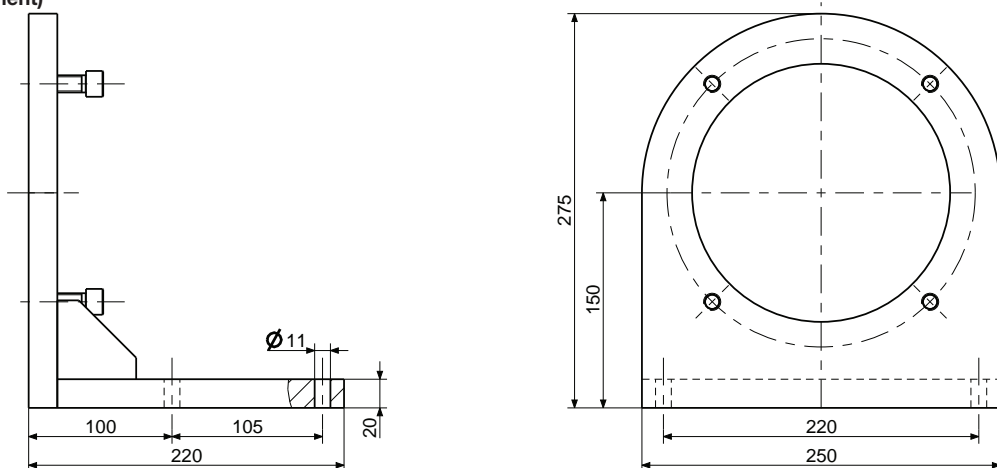
68X-001F55/IEC112A
Flange as per IEC112A-B5



68X-001F65/IEC112A / Flange as per IEC112A-B5



Bracket for motor size 55 and 65 (optional equipment)



1.9 kW / 3.3 kW / 4.6 kW POWER LINE motors with hand lever valve

The motors in this design series can be operated in either right- or left rotation. Reverse is initiated by the integrated hand lever. Additionally, these motors incorporate a higher power output, when compared with the same design series with 2 air connections.

| Motor size 32 | | Flange motor | | | | Bracket motor | | | |
|--|---------------------------|---|--------------------------|----------------------------|----------------------------|---|--------------------------|----------------------------|----------------------------|
| | | without gearing | with planetary gear | | | without gearing | with planetary gear | | |
| Motor, reversible by integrated hand lever | Type Part no. | FM32SU 441824A | FM32LU 441801A | FM32LLUA 441825A | FM32LLUB 441826A | KM32SU 441868A | KM32LU 441869A | KM32LLUA 441870A | KM32LLUB 441871A |
| Nominal power | kW / HP | 1.9 / 2.5 | 1.9 / 2.5 | 1.9 / 2.5 | 1.9 / 2.5 | 1.9 / 2.5 | 1.9 / 2.5 | 1.9 / 2.5 | 1.9 / 2.5 |
| Nominal speed | rpm | 3400 | 340 | 170 | 100 | 3400 | 340 | 170 | 100 |
| Speed (idling) | rpm | 6800 | 680 | 340 | 200 | 6800 | 680 | 340 | 200 |
| Nominal torque | Nm / in.lbs | 5.3 / 47 | 53 / 469 | 107 / 947 | 181 / 1602 | 5.3 / 47 | 53 / 469 | 107 / 947 | 181 / 1602 |
| Start torque min. | Nm / in.lbs | 7.9 / 70 | 79 / 699 | 160 / 1416 | 271 / 2398 | 7.9 / 70 | 79 / 699 | 160 / 1416 | 271 / 2398 |
| Air consumption | m ³ /min / cfm | 1.9 / 67 | 1.9 / 67 | 1.9 / 67 | 1.9 / 67 | 1.9 / 67 | 1.9 / 67 | 1.9 / 67 | 1.9 / 67 |
| Weight | kg / lbs | 15.8/34.76 | 18.1/39.82 | 22.7/49.94 | 22.5/49.5 | 17/37.4 | 19.3/42.46 | 23.9/52.58 | 23.7/52.14 |
| Hose I.D., supply air/exhaust air | mm / in. | 15 ⁵ / ₈ / 19 ³ / ₄ | | | | 15 ⁵ / ₈ / 19 ³ / ₄ | | | |

Performance data relate to an air pressure of 6 bar (85 PSI) and lubricated air

Optional equipment

| | | |
|-----------------|----------|---------|
| Spare parts kit | Part no. | 104355A |
|-----------------|----------|---------|

| Motor size 50 | | Flange motor | | | | Bracket motor | | | |
|--|---------------------------|---|--------------------------|----------------------------|----------------------------|---|--------------------------|----------------------------|----------------------------|
| | | without gearing | with planetary gear | | | without gearing | with planetary gear | | |
| Motor, reversible by integrated hand lever | Type Part no. | FM50SU 442135A | FM50LU 441828A | FM50LLUA 442103A | FM50LLUB 442104A | KM50SU 442140A | KM50LU 441873A | KM50LLUA 441874A | KM50LLUB 441875A |
| Nominal power | kW / HP | 3.3 / 4.4 | 3.2 / 4.3 | 3.2 / 4.3 | 3.2 / 4.3 | 3.3 / 4.4 | 3.2 / 4.3 | 3.2 / 4.3 | 3.2 / 4.3 |
| Nominal speed | rpm | 3000 | 240 | 100 | 75 | 3000 | 240 | 100 | 75 |
| Speed (idling) | rpm | 6000 | 480 | 200 | 150 | 6000 | 480 | 200 | 150 |
| Nominal torque | Nm / in.lbs | 10 / 88 | 127 / 1124 | 305 / 2699 | 407 / 3602 | 10 / 88 | 127 / 1124 | 305 / 2699 | 407 / 3602 |
| Start torque min. | Nm / in.lbs | 15 / 133 | 190 / 1681 | 458 / 4053 | 610 / 5398 | 15 / 133 | 190 / 1681 | 458 / 4053 | 610 / 5398 |
| Air consumption | m ³ /min / cfm | 3.6 / 127 | 3.6 / 127 | 3.6 / 127 | 3.6 / 127 | 3.6 / 127 | 3.6 / 127 | 3.6 / 127 | 3.6 / 127 |
| Weight | kg / lbs | 27.8/61.16 | 32.3/71.06 | 33.7/74.14 | 34.1/75 | 31.5/69.3 | 33.2/73 | 42.5/93.5 | 42.9/94.38 |
| Hose I.D., supply air/exhaust air | mm / in. | 19 ³ / ₄ / 25 ⁶³ / ₆₄ | | | | 19 ³ / ₄ / 25 ⁶³ / ₆₄ | | | |

Performance data relate to an air pressure of 6 bar (85 PSI) and lubricated air

Optional equipment

| | | |
|-----------------|----------|---------|
| Spare parts kit | Part no. | 104355B |
|-----------------|----------|---------|

| Motor size 52 | | Flange motor | | | | Bracket motor | | | |
|--|---------------------------|---|--------------------------|----------------------------|----------------------------|---|--------------------------|----------------------------|----------------------------|
| | | without gearing | with planetary gear | | | without gearing | with planetary gear | | |
| Motor, reversible by integrated hand lever | Type Part no. | FM52SU 441741A | FM52LU 441831A | FM52LLUA 442105A | FM52LLUB 442106A | KM52SU 441876A | KM52LU 441877A | KM52LLUA 441878A | KM52LLUB 441879A |
| Nominal power | kW / HP | 4.6 / 6.2 | 4.5 / 6.0 | 4.5 / 6.0 | 4.5 / 6.0 | 4.6 / 6.2 | 4.5 / 6.0 | 4.5 / 6.0 | 4.5 / 6.0 |
| Nominal speed | rpm | 2800 | 240 | 100 | 75 | 2800 | 240 | 100 | 75 |
| Speed (idling) | rpm | 5600 | 480 | 200 | 150 | 5600 | 480 | 200 | 150 |
| Nominal torque | Nm / in.lbs | 16 / 142 | 180 / 1593 | 430 / 3805 | 573 / 5071 | 16 / 142 | 180 / 1593 | 430 / 3805 | 573 / 5071 |
| Start torque min. | Nm / in.lbs | 24 / 212 | 270 / 2389 | 645 / 5708 | 860 / 7611 | 24 / 212 | 270 / 2389 | 645 / 5708 | 860 / 7611 |
| Air consumption | m ³ /min / cfm | 5 / 176 | 5 / 176 | 5 / 176 | 5 / 176 | 5 / 176 | 5 / 176 | 5 / 176 | 5 / 176 |
| Weight | kg / lbs | 29.3/64.46 | 28.2/62.04 | 35.9/79 | 36.3/79.86 | 33.7/74.14 | 35.4/77.88 | 44.8/98.56 | 45.2/99.44 |
| Hose I.D., supply air/exhaust air | mm / in. | 25 ⁶³ / ₆₄ / 32 ¹⁷ / ₆₄ | | | | 25 ⁶³ / ₆₄ / 32 ¹⁷ / ₆₄ | | | |

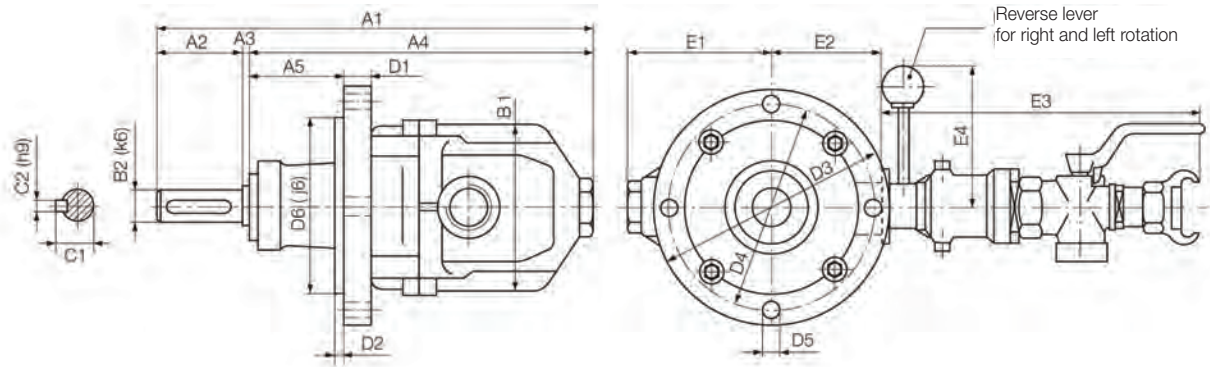
Performance data relate to an air pressure of 6 bar (85 PSI) and lubricated air

Optional equipment

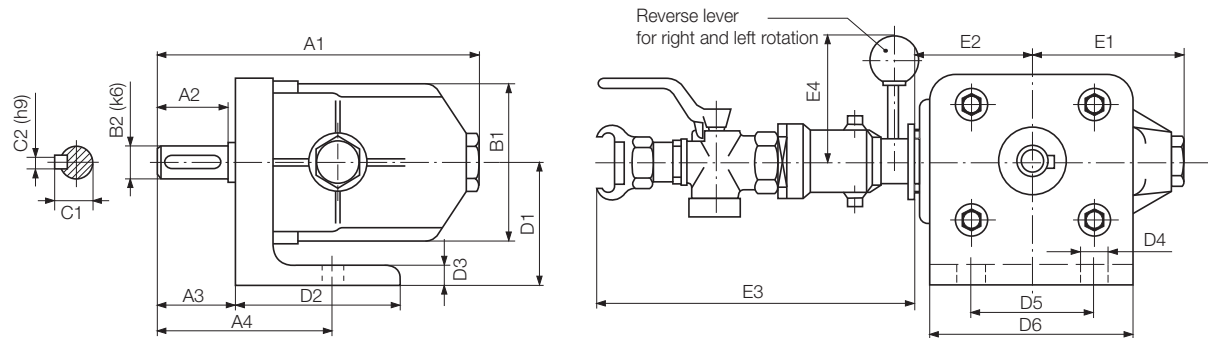
| | | |
|-----------------|----------|---------|
| Spare parts kit | Part no. | 104355C |
|-----------------|----------|---------|

► **Maintenance unit**
on page 41

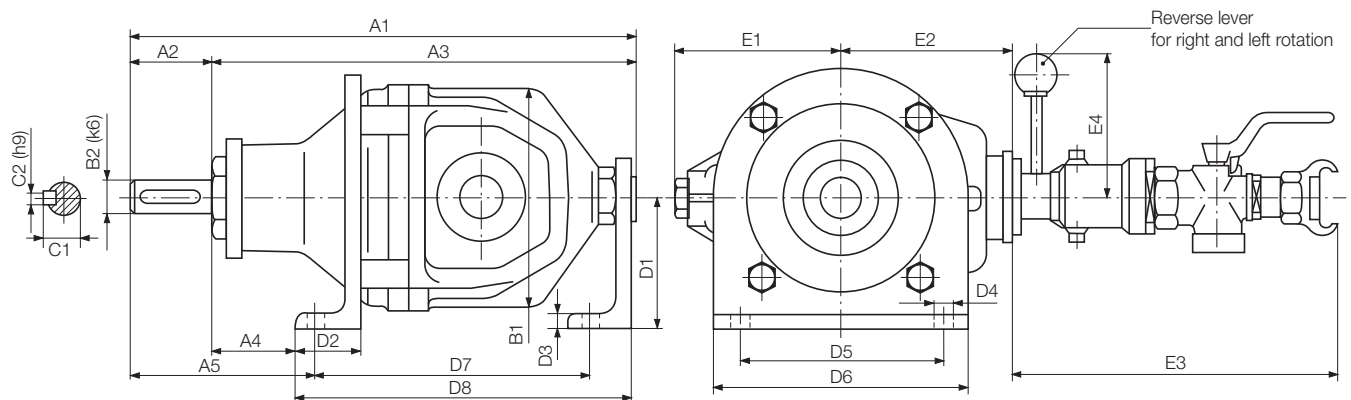
► **Model number description**
on page 46



| Motor size | Type | Dimensions flange motor (mm) | | | | | | | | | | | | | | | | | | |
|------------|------------|------------------------------|----|----|-----|-----|-----|----|------|----|----|----|-----|-----|----|-----|-----|-------|-----|-------|
| | | A1 | A2 | A3 | A4 | A5 | B1 | B2 | C1 | C2 | D1 | D2 | D3 | D4 | D5 | D6 | E1 | E2 | E3 | E4 |
| 32 | FM32SU | 195 | | 3 | 144 | - | | | | | | 4 | | | | | | | | |
| | FM32LU | 283 | 50 | | 231 | 63 | 132 | 25 | 27.9 | | | | 190 | 160 | | 138 | 107 | 117.5 | | |
| | FM32LLUA/B | 364 | | 2 | 313 | 102 | | 30 | 32.9 | 8 | | | | | | | | | | |
| 50 | FM50SU | 243 | | 2 | 182 | 5 | | | | | | | | | | | | | | |
| | FM50LU | 364 | | | 304 | 97 | | 35 | 38.3 | 10 | 22 | | | | 14 | | | | 273 | 140.5 |
| | FM50LLUA/B | 435 | 60 | - | 374 | 113 | 162 | 40 | 43.1 | 12 | | 5 | | | | | | | | |
| 52 | FM52SU | 262 | | 2 | 202 | 5 | | 30 | 32.9 | 8 | | | 220 | 195 | | 165 | 105 | 130 | | |
| | FM52LU | 384 | | | 324 | 95 | | 35 | 38.3 | 10 | | | | | | | | | | |
| | FM52LLUA/B | 454 | | - | 394 | 112 | | 40 | 43.1 | 12 | | | | | | | | | | |



| Motor size | Type | Dimensions bracket motor (mm) | | | | | | | | | | | | | | | | | |
|------------|--------|-------------------------------|----|----|-----|-----|----|------|----|-----|-----|----|----|-----|-----|-----|-------|-----|-------|
| | | A1 | A2 | A3 | A4 | B1 | B2 | C1 | C2 | D1 | D2 | D3 | D4 | D5 | D6 | E1 | E2 | E3 | E4 |
| 32 | KM32SU | 195 | 50 | 54 | 119 | 132 | 25 | 27.9 | | 105 | 115 | | 13 | 90 | 150 | 107 | 117.5 | | |
| 50 | KM50SU | 242 | | | | | | | 8 | | | 14 | | | | | | 273 | 140.5 |
| 52 | KM52SU | 262 | 60 | 62 | 142 | 162 | 30 | 32.9 | | 120 | 130 | | 14 | 116 | 182 | 105 | 130 | | |

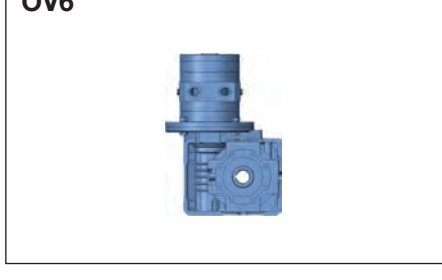
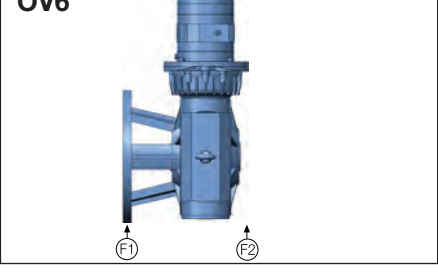
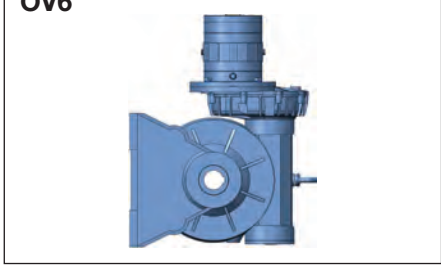
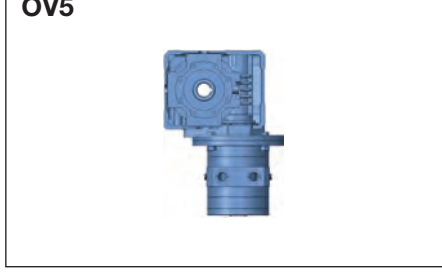
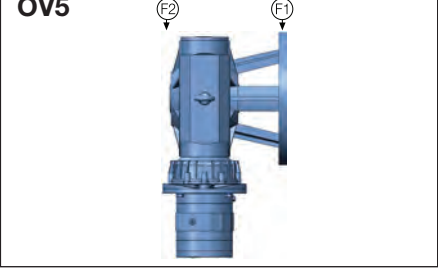
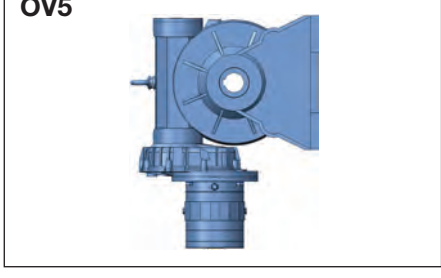
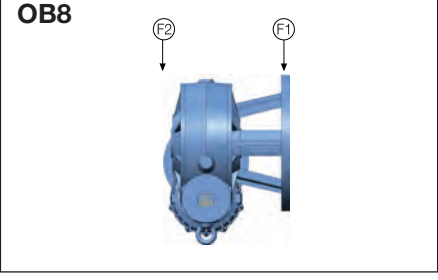
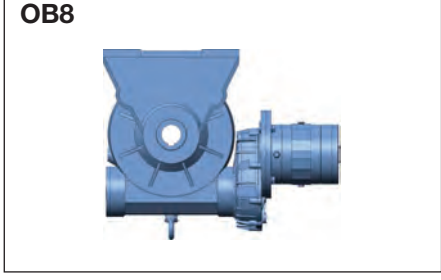
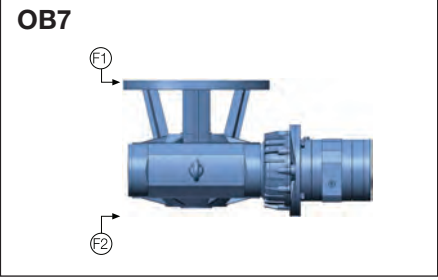
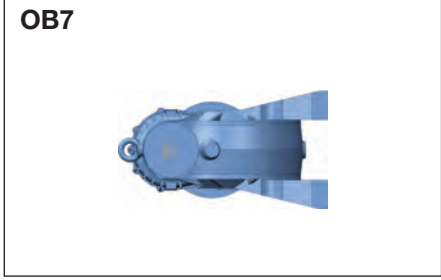
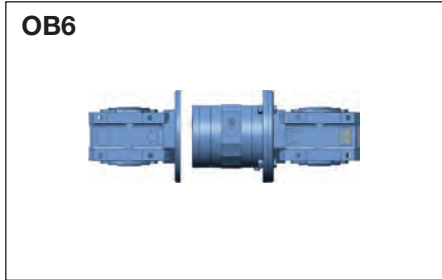
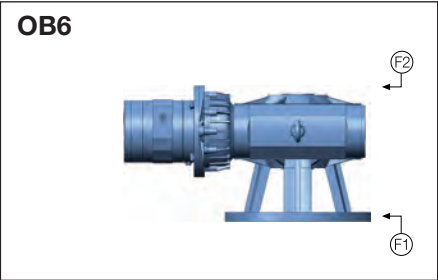
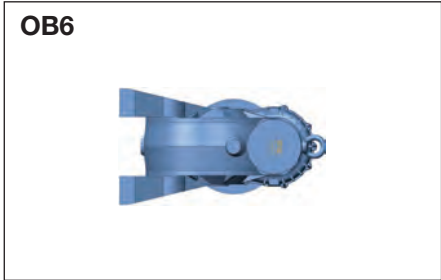
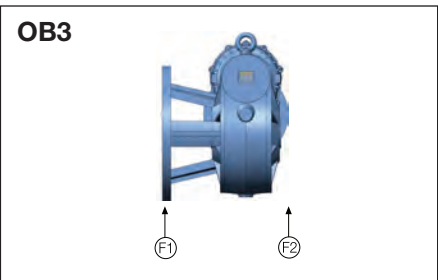
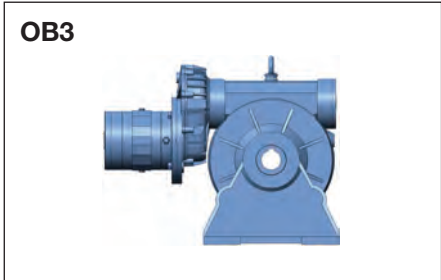


| Motor size | Type | Dimensions bracket motor (mm) | | | | | | | | | | | | | | | | | | | | |
|------------|------------|-------------------------------|----|-----|----|-------|-----|----|------|----|-----|----|----|----|-----|-----|-----|-----|-----|-------|-----|-------|
| | | A1 | A2 | A3 | A4 | A5 | B1 | B2 | C1 | C2 | D1 | D2 | D3 | D4 | D5 | D6 | D7 | D8 | E1 | E2 | E3 | E4 |
| 32 | KM32LU | 303 | | 253 | 40 | 90 | | 25 | 27.9 | | | | | | | | | | | | | |
| | KM32LLUA/B | 384 | 50 | 334 | 76 | 142.5 | 132 | 30 | 32.9 | 8 | 93 | 50 | | | 120 | 160 | 161 | 211 | 107 | 117.5 | | |
| | KM50LU | 384 | | 324 | 69 | 143.5 | | 35 | 38.3 | 10 | | | | | 150 | 190 | 204 | 254 | 105 | | | |
| 50 | KM50LLUA/B | 454 | 60 | 394 | 30 | 121 | 162 | 40 | 44.1 | 12 | | | | | 120 | 160 | 265 | 360 | 112 | | 273 | 140.5 |
| | KM52LU | 403 | | 343 | 68 | 143 | | 35 | 38.3 | 10 | 100 | 45 | 14 | 13 | 150 | 190 | 223 | 273 | 105 | 130 | | |
| | KM52LLUA/B | 474 | | 414 | 31 | 121 | | 40 | 43.1 | 12 | | 45 | | | 120 | 160 | 285 | 380 | 115 | | | |

Bracket motor

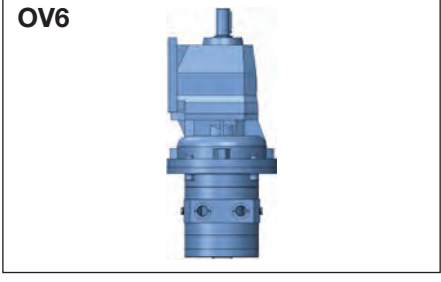
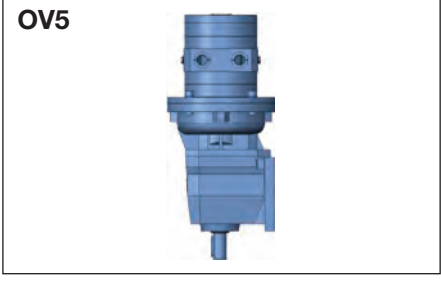
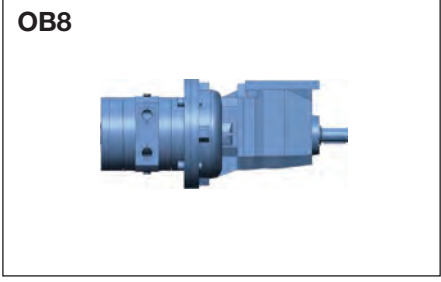
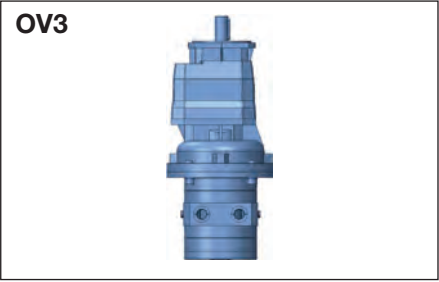
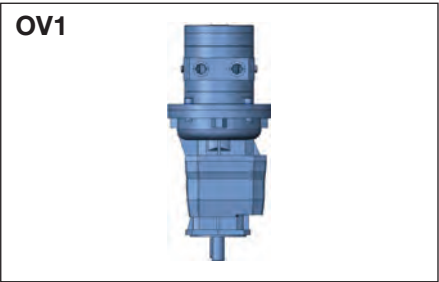
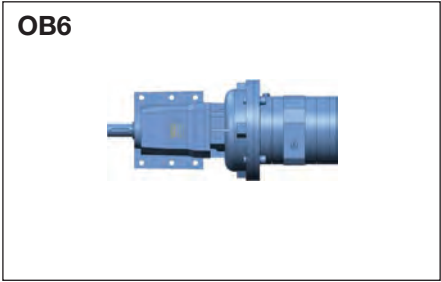
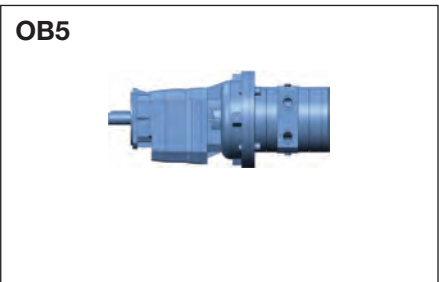
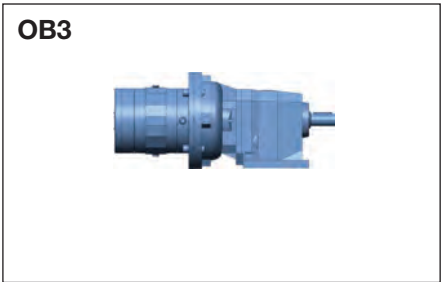
Flange motor
Flange layout F_1 / F_2

Universal mounting



Bracket motor

Flange motor



Holding brake

Our holding brakes are designed for the motors 68X-...F09, 68X-...F11, 68X-...F13 and 68X-...F15 and can be ordered fully mounted together with the motors.

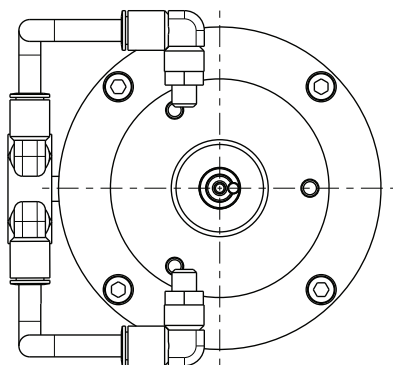
In addition the holding brake is also suitable for upgrading.

We can carry out this upgrade for you on request.

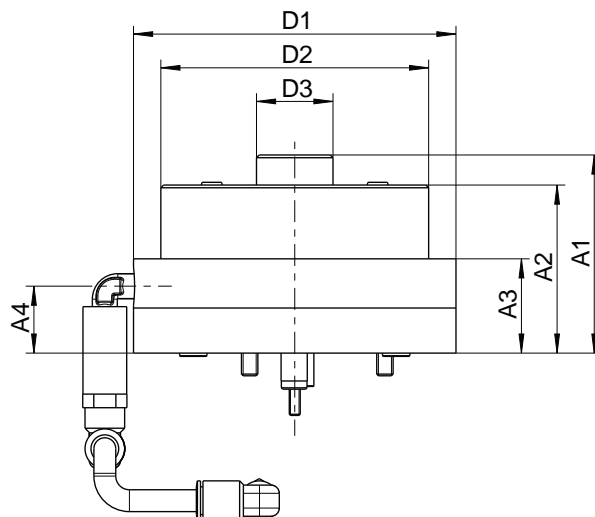
| Appropriate for each motor | Type | 68X-...F09 | 68X-...F11 | 68X-...F13/...F15 |
|----------------------------|----------|------------|------------|-------------------|
| Holding brake | Part no. | 445709B | 446196B | 446062C |

^{*)} The holding brake is not designed for use with a different drive system. Please only use it in combination with the stated motor types.

The braking torque is generally double the nominal torque.



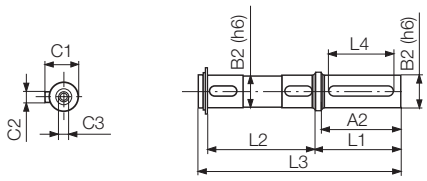
The holding brake is released at a working pressure of >5 bar!



p440244

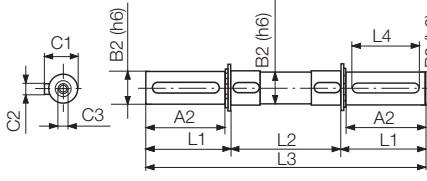
| Type | Dimensions of braking device (mm) | | | | | | |
|------|-----------------------------------|------|------|------|-----|-----|----|
| | A1 | A2 | A3 | A4 | D1 | D2 | D3 |
| M9U | 72.5 | 61.5 | 34.5 | 24.5 | 118 | 98 | 28 |
| M11U | | | | | | | |
| M13U | 83 | - | 39 | 30 | 190 | 162 | - |
| M15U | | | | | | | |

Drive spindle options for motors with worm gears



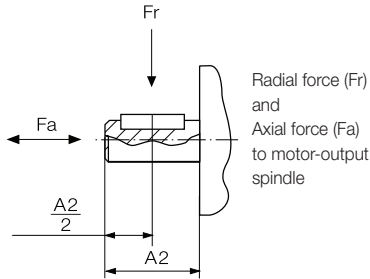
Spindle for motors with worm gears

| Part no. | for hollow shaft mm | Radial force max. N / lbs. | Axial force max. N | Dimensions (mm) | | | | | | | | | |
|----------|---------------------|----------------------------|--------------------|-----------------|----|------|----|-----|----|-----|-----|----|-----|
| | | | | A2 | B2 | C1 | C2 | C3 | L1 | L2 | L3 | L4 | |
| 824328 | Ø25 x 82 | 3450/770 | 690/150 | 60 | 25 | 28 | 8 | M8 | 65 | 82 | 154 | 50 | W49 |
| 824329 | Ø25 x 120 | 5000/1120 | 1000/224 | | | | | | | 120 | 192 | | W63 |
| 107573 | Ø30 x 127 | 6200/1389 | 1240/278 | | 30 | 33 | 8 | | | M10 | 127 | | 199 |
| 824330 | Ø35 x 140 | 7000/1560 | 1400/310 | 75 | 35 | 38 | 10 | M12 | 80 | 140 | 214 | 60 | W86 |
| 824331 | Ø42 x 155 | 8000/1790 | 1600/355 | | | | | | | 42 | 45 | | 12 |
| 824332 | Ø45 x 165 | 13800/3090 | 2760/615 | 80 | 45 | 48.5 | 14 | | | 85 | 165 | | 261 |

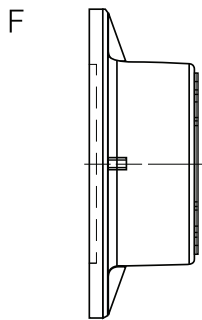


Spindle for motors with worm gears

| Part no. | for hollow shaft mm | Radial force max. N / lbs. | Axial force max. N | Dimensions (mm) | | | | | | | | | |
|----------|---------------------|----------------------------|--------------------|-----------------|----|------|----|-----|------|------|-------|----|-------|
| | | | | A2 | B2 | C1 | C2 | C3 | L1 | L2 | L3 | L4 | |
| 824333 | Ø25 x 82 | 3450/770 | 690/150 | 60 | 25 | 28 | 8 | M8 | 63.2 | 82 | 208.4 | 50 | W49 |
| 824334 | Ø25 x 120 | 5000/1120 | 1000/224 | | | | | | | 120 | 246.4 | | W63 |
| 813122 | Ø30 x 127 | 6200/1389 | 1240/278 | | 30 | 33 | 8 | | | M10 | 64 | | 127 |
| 824335 | Ø35 x 140 | 7000/1560 | 1400/310 | 75 | 35 | 38 | 10 | M12 | 79.2 | 140 | 268 | 60 | W86 |
| 824336 | Ø42 x 155 | 8000/1790 | 1600/355 | | | | | | | 42 | 45 | | 12 |
| 824337 | Ø45 x 165 | 13800/3090 | 2760/615 | 80 | 45 | 48.5 | 14 | | | 84.7 | 165 | | 334.4 |

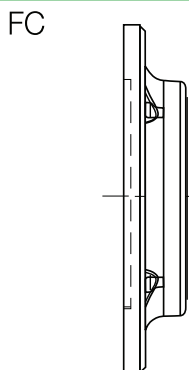


Flange design for motors with worm gears



Flange for motors with worm gears

| Type of gearing | Part no. |
|-----------------|----------|
| W63U | 830929 |
| W75U | 834335 |
| W86U | 830931 |
| W110U | 830934 |



Flange for motors with worm gears

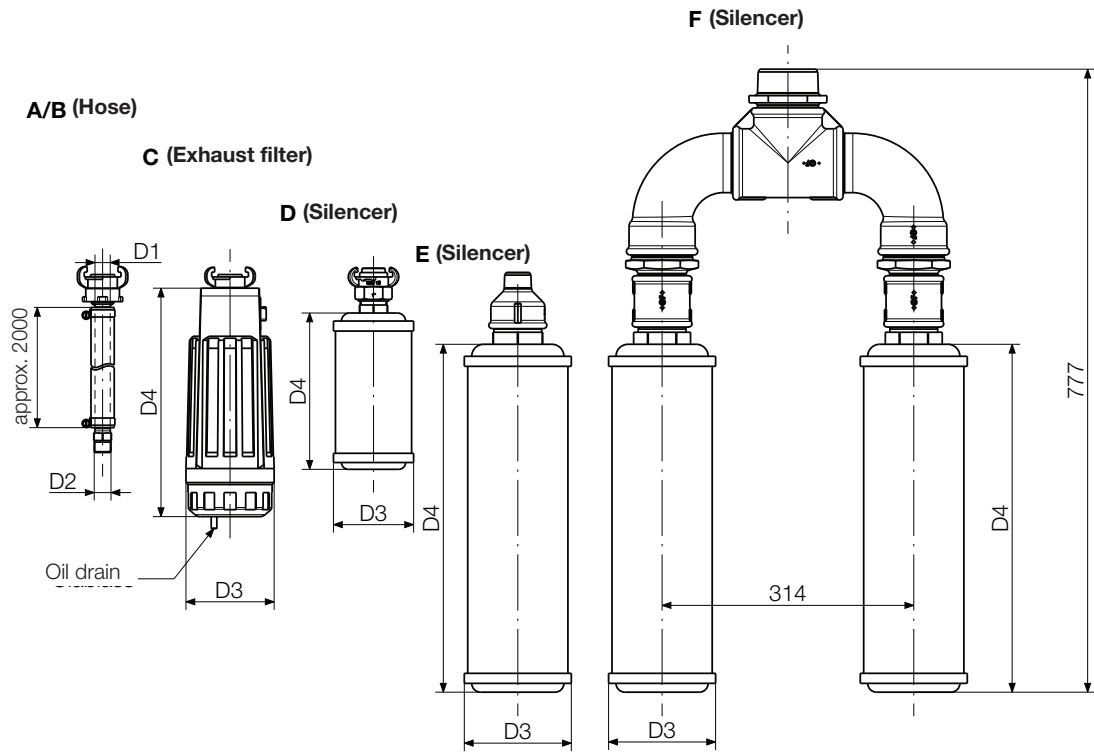
| Type of gearing | Part no. |
|-----------------|----------|
| W63U | 830930 |
| W75U | 106042 |
| W86U | 830932 |
| W110U | 830935 |

ACCESSORIES

Set of Silencers (including mounting set according below table)

| Suitable for | Motor size | 9 | 11 | 13 | 15 | 55 | 65 |
|---|------------|---------|---------|---------|---------|---------|---------|
| Hose set (supply air/exhaust air hose), length 2 m | | | | | | | |
| motor is reversible (right and left rotation) | Part no. | 310740A | 310741A | 310742A | 310742A | - | - |
| motor operates in one direction (right or left rotation) | Part no. | 310740D | 310741D | 310742D | 310742D | - | - |
| Noise level | dB(A) | 124.7 | 122.8 | 119.2 | 122.1 | 123 | - |
| Exhaust filter including air supply/exhaust hose | | | | | | | |
| motor operates in one direction (right or left rotation) | Part no. | 310740B | 310741B | - | - | - | - |
| Noise level | dB(A) | 88.1 | 90 | - | - | - | - |
| Silencer including air supply/exhaust hose | | | | | | | |
| motor operates in one direction (right or left rotation) | Part no. | 310740C | 310741C | 310742C | 310742C | - | - |
| Noise level | dB(A) | 89.9 | 93.8 | 90.5 | 91.9 | - | - |
| Set of Silencers (including mounting set according below table) | | | | | | | |
| motor operates in one direction (right or left rotation) | Part no. | - | - | - | - | 440615C | 440614A |
| motor is reversible (right and left rotation) | Part no. | - | - | - | - | 440615B | 440614B |
| Noise level | dB(A) | - | - | - | - | 106 | 120 |

| Part no. | Contained | A (Supply air) | | B (Exhaust air) | | C/D/E/F | |
|----------|-----------|----------------|-----------------|-----------------|-----------------------|---------|-----|
| | | D1 | D2 | D1 | D2 | D3 | D4 |
| 310740A | A, B | 19 | | | | - | - |
| 310740B | A, B, C | | | | | 110 | 285 |
| 310740C | A, B, D | 15 | G $\frac{1}{2}$ | 19 | G $\frac{1}{2}$ | 100 | 195 |
| 310740D | A, B | | | | | - | - |
| 310741A | A, B | 25 | | | | - | - |
| 310741B | A, B, C | | | | | 110 | 285 |
| 310741C | A, B, D | 19 | G $\frac{3}{4}$ | 25 | G $\frac{3}{4}$ | 100 | 195 |
| 310741D | A, B | | | | | - | - |
| 310742A | A, B | 32 | | | | - | - |
| 310742C | A, B, E | | G1 | 32 | G1 | 134 | 434 |
| 310742D | A, B | 25 | | | | - | - |
| 440615C | 3xE | 25 | G1 | 32 | G1 | | |
| 440615B | 2xE | | | | | 134 | 434 |
| 440614B | F | 43 | G2 | - | G 2 $\frac{1}{2}$ | | |
| 440614A | E, F | | | | G2; G 2 $\frac{1}{2}$ | | |



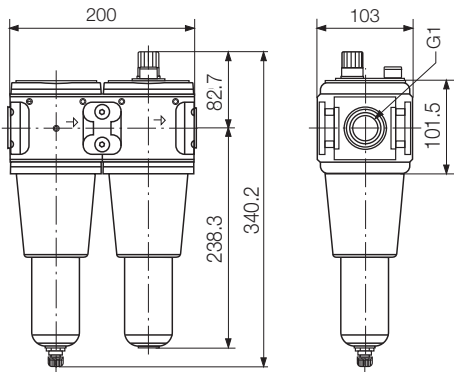
Dimensions in mm

p107521

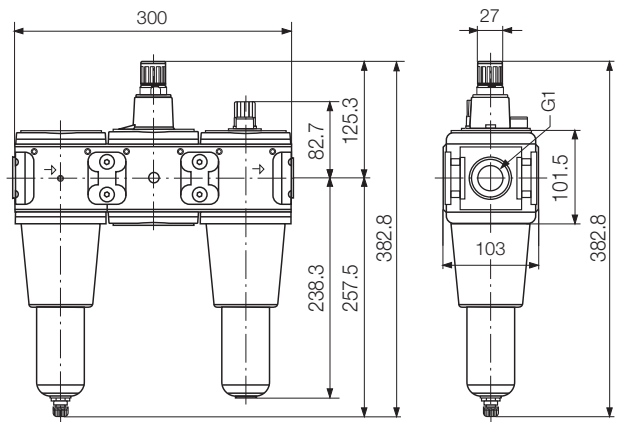
ACCESSORIES

Maintenance unit consisting of filter and oiler - alternatively available with or without pressure regulator
Pressure regulation valve with manometer

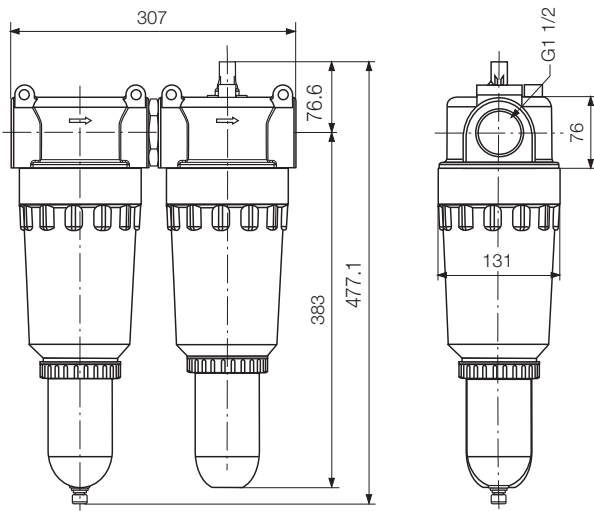
| Suitable for Motor size (MG) Type of motor | Part no. Maintenance unit with- out pressure regulator | Part no. Maintenance unit with pressure regulator | Part no. Pressure regulation valve with manometer | Thread size | Regulation range |
|--|--|---|---|-------------|---------------------|
| MG9 ----- MG11 ----- FM32/KM32 ----- FM50/KM50 ----- MG13/15 ----- FM52/KM52 ----- 68X-001F55/IEC112A ----- 68X-001F65/IEC112A | 821609A | 821179A | 821999A | G1 | 0.5 - 10 bar |
| | 805044A | 805044B | 816657A | G 1 ½ | |
| | 350005A | 350005B | 816658A | G2 | |



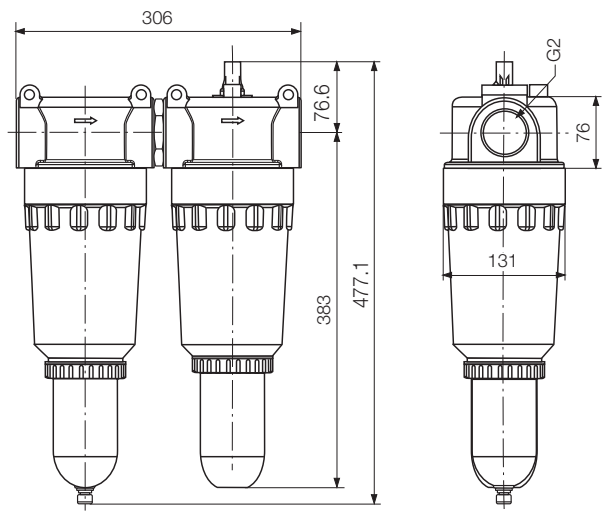
821609 A
Maintenance Unit without pressure regulator G1



821179 A
Maintenance Unit with pressure regulator G1

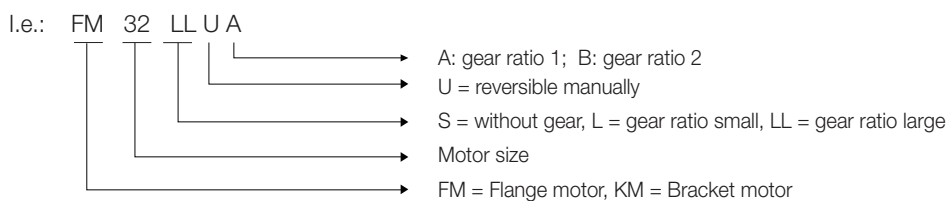
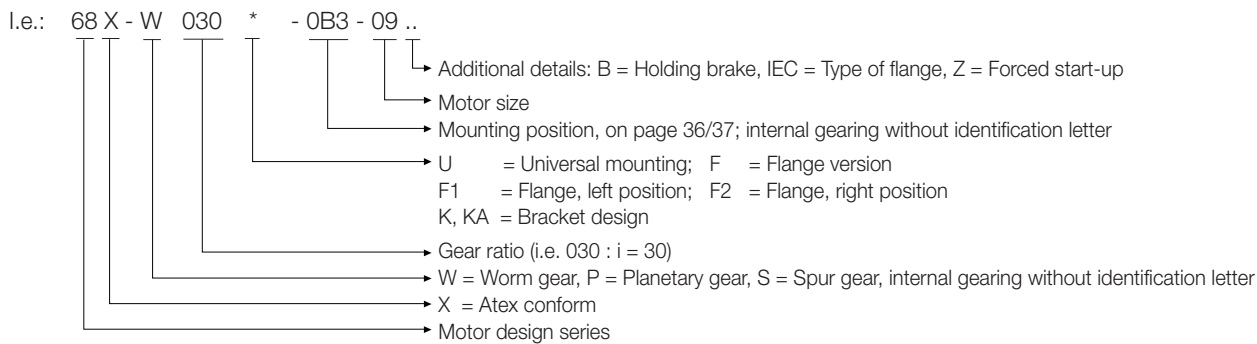


805044 A
Maintenance Unit without pressure regulator G1 1/2



350005 A
Maintenance Unit without pressure regulator G2

MODEL NUMBER DESCRIPTION - when ordering please indicate model designation



Use in potentially explosive environments



The correspondingly marked motors are suitable for use in potentially explosive environments.

Do you need support in selecting the right drive system?

Tell us your operational conditions and our application consultants will be happy to help:

| | | | |
|---|--|--|-------------------------------------|
| Application: | <input type="text"/> | | |
| In what kind of environment will the motor be installed? | ATEX requirement / explosion safety? | <input type="checkbox"/> yes | <input type="checkbox"/> no |
| | if yes, which safety class: | <input type="text"/> | |
| | food industry conformity? | <input type="checkbox"/> yes | <input type="checkbox"/> no |
| | sterilisable? | <input type="checkbox"/> yes | <input type="checkbox"/> no |
| | acid resistant? | <input type="checkbox"/> yes | <input type="checkbox"/> no |
| | steam resistant? | <input type="checkbox"/> yes | <input type="checkbox"/> no |
| Application conditions: | constant operation (24 hrs, non-stop) | <input type="checkbox"/> yes | <input type="checkbox"/> no |
| | duty cycle in hrs/day: | <input type="text"/> | |
| | days/year: | <input type="text"/> | |
| | cycle time (s): | <input type="text"/> | |
| | motor loaded to stall? | <input type="checkbox"/> yes | <input type="checkbox"/> no |
| | self-locking? | <input type="checkbox"/> yes | <input type="checkbox"/> no |
| Required turn direction: | <input type="checkbox"/> left | <input type="checkbox"/> right | <input type="checkbox"/> reversible |
| | (view from air inlet) | | |
| Motor performance: | power: | <input type="text"/> | W |
| | nominal torque: | <input type="text"/> | Nm |
| | nominal speed: | <input type="text"/> | rpm |
| Performance influencing application conditions: | operating pressure (at motor inlet): | <input type="text"/> | bar |
| | operation with lubricated air possible? | <input type="checkbox"/> yes | <input type="checkbox"/> no |
| | smallest opening cross-section of connection pieces and hoses? | <input type="text"/> | mm |
| External motor design: | <input type="checkbox"/> standard steel | <input type="checkbox"/> non-corrosive | <input type="checkbox"/> aluminium |
| | <input type="checkbox"/> plastics | <input type="checkbox"/> ceramics | |
| | other: | <input type="text"/> | |
| Drive spindle design: | drive shaft requirements: | <input type="text"/> | |
| | (e. g. keyed shafts, square end, hexagonal, collet, drill chuck taper, etc.) | | |
| | required dimensions: | <input type="text"/> | |
| Motor fixture design: | mounting requirements: (bracket, flange, etc.) | <input type="text"/> | |
| | required dimensions: | <input type="text"/> | |
| Additional components: | <input type="checkbox"/> holding brake | <input type="checkbox"/> operational brake | |
| | gear box: | <input type="text"/> | |
| Price range: | <input type="text"/> | | |
| Annual requirement: | <input type="text"/> | | |

DEPRAG

DEPRAG SCHULZ GMBH u. CO.

P.O. Box 1352, D-92203 Amberg, Germany
Carl-Schulz-Platz 1, D-92224 Amberg
Phone (+49) 9621 371-0, Fax (+49) 9621 371-120
www.deprag.com
info@deprag.de

CERTIFIED AS PER DIN EN ISO 9001
