

## MINIMAT Screwdrivers

The basic solution for almost all screwdriving tasks

angle head design – torque from 0.3 - 65 Nm / 3 to 575 in.lbs

- robust
- highest precision
- ergonomic
- long-life
- low noise level

The particular strength of the MINIMAT screwdriver in angle head design is that it can carry out screw assemblies with torque ranges from 0.3 Nm to 65 Nm. In these ranges you can not only assemble screws but also adjust them. Screwdrivers with angle head design are preferably used for assemblies in tight areas. Because of the angle head design even large torque values can be managed by hand without problems. The handle is linked with the angle head by a plug connection and can be arrested in different positions.

### Handheld Screwdriver pneumatic



Motor size 2

Motor size 2.5

Motor size 3

Motor size 4

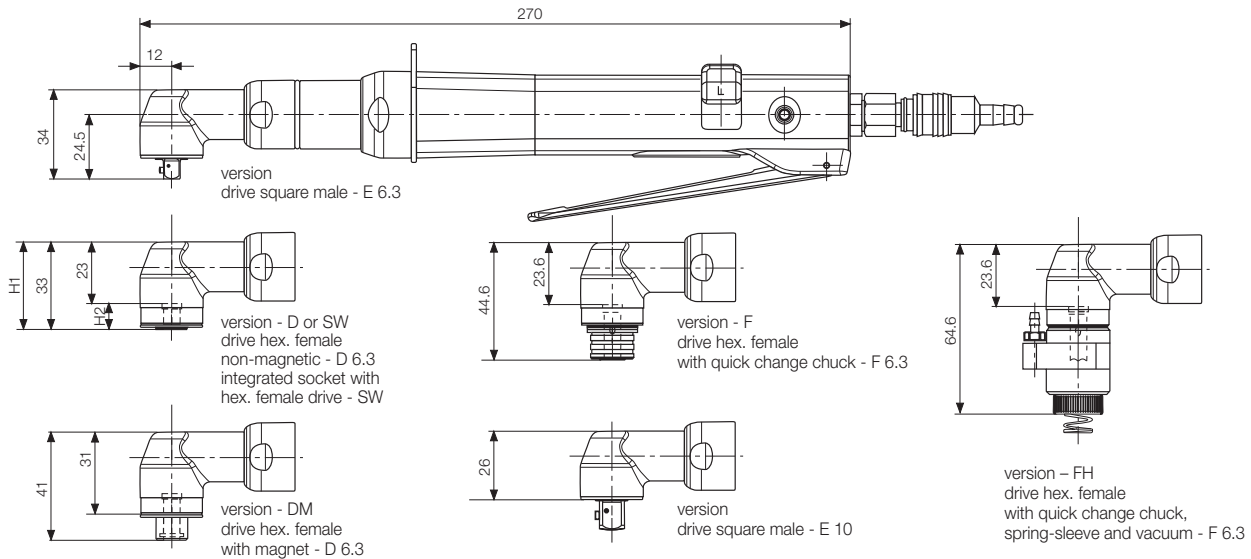
The ergonomic MINIMAT screwdriver is extremely durable due to its extraordinary processing quality and design for heavy industrial use.

The MINIMAT clutch works with the tried and tested principle of a mechanical separation and shut-off clutch. This highly precise shut-off clutch allows torque precision of  $< \pm 3\%$  standard deviation, which is maintained for millions of assemblies.

When used under the correct conditions DEPRAG pneumatic screwdrivers with shut-off clutch conform with a Cmk value of  $\geq 1.67$  with a tolerance requirement of  $\pm 10\%$  in relation to 6 Sigma according to ISO 5393.

In other words a Cmk value of 1.67 means that there is a failure rate of 0.6 per million screw assemblies.





\*) Measurement plus length of bit or sockets is space requirement.

390981

## Technical Data

Screwdriver Style		Motor Size 2		
Driver reversible, right shut-off drive square male 1/4"	<b>Type</b> Part no.	<b>377-321U</b> 386530B	<b>377-421U</b> 386530D	<b>377-521U</b> 386530C
Driver reversible, right shut-off drive square male 3/8"	<b>Type</b> Part no.	<b>377-321U-E10</b> 390887B	<b>377-421U-E10</b> 390887D	<b>377-521U-E10</b> 390887C
Driver reversible, right shut-off drive hex. female 1/4" non-magnetic	<b>Type</b> Part no.	<b>377-321U-D</b> 390883B	<b>377-421U-D</b> 390883D	<b>377-521U-D</b> 390883C
Driver reversible, right shut-off drive hex. female 1/4" with magnet	<b>Type</b> Part no.	<b>377-321U-DM</b> 390884B	<b>377-421U-DM</b> 390884D	<b>377-521U-DM</b> 390884C
Driver reversible, right shut-off drive hex. female 1/4" with quick change chuck	<b>Type</b> Part no.	<b>377-321U-F</b> 390885B	<b>377-421U-F</b> 390885D	<b>377-521U-F</b> 390885C
Driver reversible, right shut-off drive hex. female 1/4" with quick change chuck and spring-sleeve	<b>Type</b> Part no.	<b>377-321U-FH</b> 390886B	<b>377-421U-FH</b> 390886D	<b>377-521U-FH</b> 390886C
Driver reversible, right shut-off integrated socket with hex. female drive	<b>Type</b>	<b>377-32 U-SW..</b>	<b>377-421U-SW..</b>	<b>377-521U-SW..</b>
	AF 6 mm	Part no. 3909251B	3909251D	3909251C
	AF 8 mm	Part no. 3909252B	3909252D	3909252C
	AF 10 mm	Part no. 3909253B	3909253D	3909253C
	AF 13 mm	Part no. 3909254B	3909254D	3909254C
Screws	up to	M 4	M 5	M 5
Torque min.	Nm / in. lbs	0.4 / 4	0.4 / 4	0.3 / 3
Torque max.	Nm / in. lbs	3.5 / 31	4.5 / 40	6.5 / 57
Speed, idling	rpm	780	500	350
Air consumption	m <sup>3</sup> /min / cfm	0.3 / 11	0.3 / 11	0.3 / 11
Height (H1) for AF 6 - AF 10 / AF 13	mm	29 / 30.5	29 / 30.5	29 / 30.5
	in.	1 9/64 / 1 13/64	1 9/64 / 1 13/64	1 9/64 / 1 13/64
Height (H2) for AF 6 / AF 8 / AF 10 / AF 13	mm	3.5 / 4 / 4 / 5.5	3.5 / 4 / 4 / 5.5	3.5 / 4 / 4 / 5.5
	in.	9/64 / 5/32 / 5/32 / 7/32	9/64 / 5/32 / 5/32 / 7/32	9/64 / 5/32 / 5/32 / 7/32
Weight	kg / lbs	0.85 / 1.9	0.85 / 1.9	0.85 / 1.9
Noise level	dB (A)	67	67	67
Air hose dia.	mm / in.	6 / 1/4	6 / 1/4	6 / 1/4
Air inlet pipe thread size		1/8" m	1/8" m	1/8" m

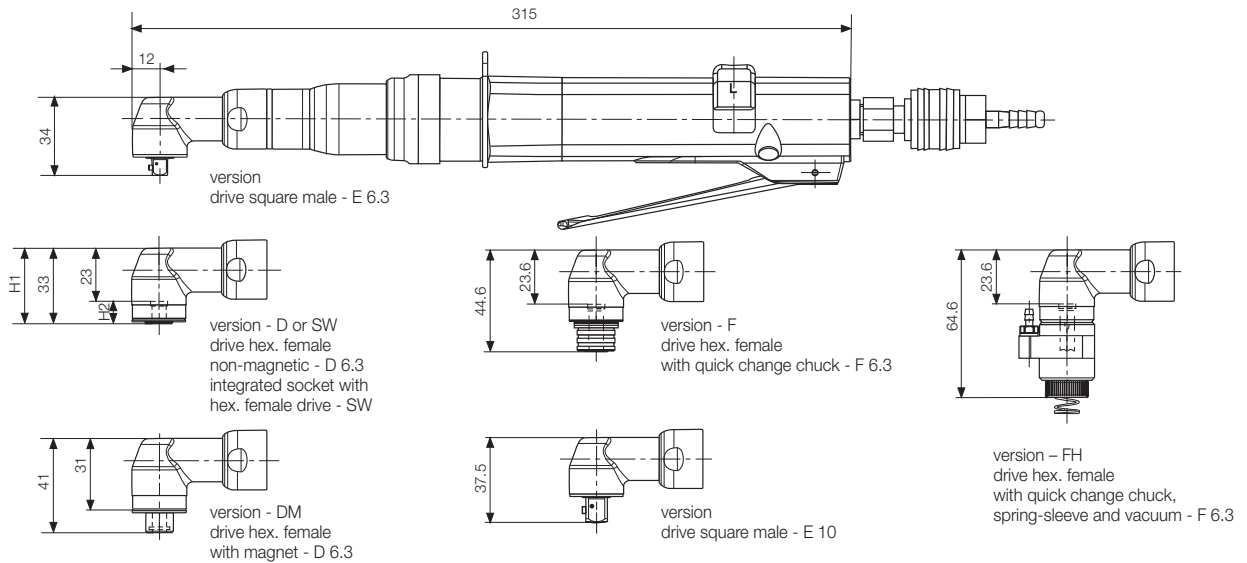
Performance data relate to an air pressure of 6.3 bar (90 PSI)

### Included in delivery

Hose coupling with nozzle and nipple · Torque adjustment tool · Assortment of clutch springs

### Optional Equipment

Exhaust hose (1 m /3.3 ft.) part no. 389653A  
suitable for 377-...U-FH types: vacuum connector for screw suction part no. 392636A



\*) Measurement plus length of bit or sockets is space requirement.

378385

## Technical Data

Screwdriver Style		Motor Size 2.5	
Driver reversible, right shut-off drive square male 1/4"	<b>Type</b> Part no.	<b>376-7251U</b> 378385A	<b>376-3251U</b> 378385B
Driver reversible, right shut-off drive square male 3/8"	<b>Type</b> Part no.	<b>376-7251U-E10</b> 382687A	<b>376-3251U-E10</b> 382687B
Driver reversible, right shut-off drive hex. female 1/4" non-magnetic	<b>Type</b> Part no.	<b>376-7251U-D</b> 382683A	<b>376-3251U-D</b> 382683B
Driver reversible, right shut-off drive hex. female 1/4" with magnet	<b>Type</b> Part no.	<b>376-7251U-DM</b> 382684A	<b>376-3251U-DM</b> 382684B
Driver reversible, right shut-off drive hex. female 1/4" with quick change chuck	<b>Type</b> Part no.	<b>376-7251U-F</b> 382685A	<b>376-3251U-F</b> 382685B
Driver reversible, right shut-off drive hex. female 1/4" with quick change chuck and spring-sleeve	<b>Type</b> Part no.	<b>376-7251U-FH</b> 382686A	<b>376-3251U-FH</b> 382686B
Driver reversible, right shut-off integrated socket with hex. female drive	<b>Type</b> Part no.	<b>376-7251U-SW..</b> 3861391A 3861392A 3861393A 3861394A	<b>376-3251U-SW..</b> 3861391B 3861392B 3861393B 3861394B
Screws	up to	M 6	M 6
Torque min.	Nm / in. lbs	1.5 / 13	1.5 / 13
Torque max.	Nm / in. lbs	8 / 71	15 / 133
Speed, idling	rpm	810	410
Air consumption	m <sup>3</sup> /min / cfm	0.35 / 12	0.35 / 12
Height (H1) for AF 6 - AF 10 / AF 13	mm	29 / 30.5	29 / 30.5
	in.	1 9/64 / 1 13/64	1 9/64 / 1 13/64
Height (H 2) for AF 6 / AF 8 / AF 10 / AF 13	mm	3.5 / 4 / 4 / 5.5	3.5 / 4 / 4 / 5.5
	in.	9/64 / 5/32 / 5/32 / 7/32	9/64 / 5/32 / 5/32 / 7/32
Weight	kg / lbs	1.2 / 2.6	1.2 / 2.6
Noise level	dB (A)	76	76
Air hose dia.	mm / in.	6 / 1/4	6 / 1/4
Air inlet pipe thread size		1/4" m	1/4" m

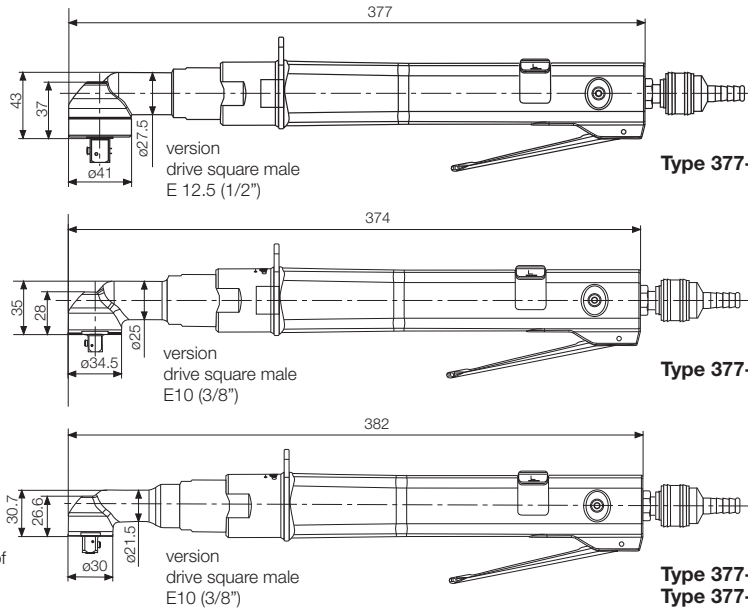
Performance data relate to an air pressure of 6.3 bar (90 PSI)

### Included in delivery

Hose coupling with nozzle and nipple · Torque adjustment tool · Assortment of clutch springs

### Optional Equipment

Exhaust hose (0.6 m / 2 ft.), part no. 398703B



\*) Measurement plus length of bit or sockets is space requirement.

## Technical Data

Screwdriver Style		Motor Size 3		
Driver reversible, right shut-off drive square male E12.5 (1/2")	<b>Type</b>	<b>377-731U-E12.5</b>	<b>377-331U-E12.5</b>	<b>377-431U-E12.5</b>
	Part no.	396037C	396037D	396037E
Screws	up to	M 6	M 8	M 10
Torque min.	Nm / in. lbs	4 / 35	4 / 35	4 / 35
Torque max.	Nm / in. lbs	11 / 97	20 / 177	35 / 310
Speed, idling	rpm	700	350	180
Air consumption	m <sup>3</sup> /min / cfm	0.4 / 14	0.4 / 14	0.4 / 14
Length (L)	mm / in.	377 / 14 27/32	377 / 14 27/32	377 / 14 27/32
Weight	kg / lbs	2 / 4.4	2 / 4.4	2 / 4.4
Noise level	dB (A)	75	75	75
Air hose dia.	mm / in.	10 / 3/8	10 / 3/8	10 / 3/8
Air inlet pipe thread size		1/4" f	1/4" f	1/4" f
Driver reversible, right shut-off drive square male E10 (3/8")	<b>Type</b>	<b>377-731U-E10</b>	<b>377-331U-E10</b>	<b>377-431U-E10</b>
	Part no.	411310C	411310D	400611E
Screws	up to	M 6	M 8	M 10
Torque min.	Nm / in. lbs	4 / 35	4 / 35	4 / 35
Torque max.	Nm / in. lbs	10 / 88.5	19 / 168	33 / 292
Speed, idling	rpm	730	365	190
Air consumption	m <sup>3</sup> /min / cfm	0.4 / 14	0.4 / 14	0.4 / 14
Length (L)	mm / in.	382 / 15 1/32	382 / 15 1/32	374 / 14 23/32
Weight	kg / lbs	1.9 / 4.2	1.9 / 4.2	1.9 / 4.2
Noise level	dB (A)	75	75	75
Air hose dia.	mm / in.	10 / 3/8	10 / 3/8	10 / 3/8
Air inlet pipe thread size		1/4" f	1/4" f	1/4" f

Performance data relate to an air pressure of 6.3 bar (90 PSI)

### Included in delivery

Hose coupling with nozzle and nipple · Torque adjustment tool · Assortment of clutch springs

### Optional Equipment

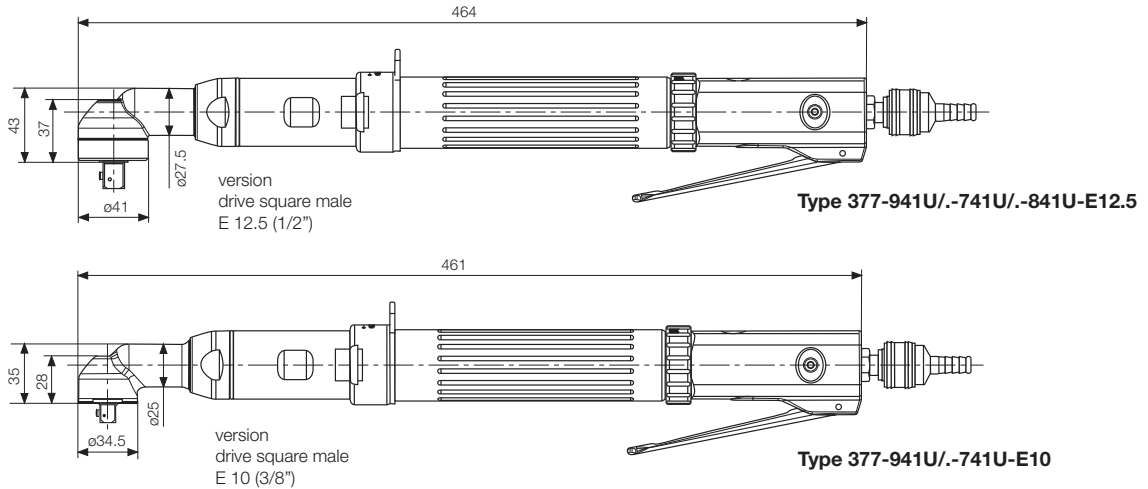
Exhaust hose (0.6 m / 2 ft.), part no. 398703A

### Screwdriver Style

### Suitable tool inserts and connecting components

External square drive DIN 3121 – E 6.3 (1/4")	with a drive as per DIN 3121 – G 6.3 (1/4")
External square drive DIN 3121 – E 10 (3/8")	with a drive as per DIN 3121 – G 10 (3/8")
External square drive DIN 3121 – E 12.5 (1/2")	with a drive as per DIN 3121 – G 12.5 (1/2")
Internal hex. drive DIN ISO 1173 – D 6.3 (1/4")	with a drive as per DIN ISO 1173 – C 6.3 (1/4")
Internal hex. drive DIN ISO 1173 – F 6.3 (1/4")	with a drive as per DIN ISO 1173 – E 6.3 (1/4")
Internal hex. drive DIN ISO 1173 – D 8 (5/16")	with a drive as per DIN ISO 1173 – C 8 (5/16")

Please also find suitable tool inserts in our brochure D3320E.



\*) Measurements plus length of bit or sockets in space requirement

404429

## Technical Data

Screwdriver Style		Motor Size 4		
Driver reversible, right shut-off drive square male E12.5 (1/2")	<b>Type</b>	<b>377-941U-E12.5</b>	<b>377-741U-E12.5</b>	<b>377-841U-E12.5</b>
	Part no.	379100B	379100C	379100D
Screws	up to	M 10	M 10	M 12
Torque min.	Nm / in. lbs	8 / 70.8	8 / 70.8	8 / 70.8
Torque max.	Nm / in. lbs	32 / 283	46 / 407	65 / 575
Speed, idling	rpm	410	270	185
Air consumption	m <sup>3</sup> /min / cfm	1 / 35.3	1 / 35.3	1 / 35.3
Length (L)	mm / in.	464 / 18	464 / 18	464 / 18
Weight	kg / lbs	2.3 / 5	2.3 / 5	2.3 / 5
Noise level	dB (A)	78	78	78
Air hose dia.	mm / in.	10 / 3/8	10 / 3/8	10 / 3/8
Air inlet pipe thread size		1/4" f	1/4" f	1/4" f
Driver reversible, right shut-off drive square male E10 (3/8")	<b>Type</b>	<b>377-941U-E10</b>	<b>377-741U-E10</b>	
	Part no.	400638B	400638C	
Screws	up to	M 10	M 10	
Torque min.	Nm / in. lbs	7 / 62	7 / 62	
Torque max.	Nm / in. lbs	30 / 265.5	44 / 389	
Speed, idling	rpm	430	285	
Air consumption	m <sup>3</sup> /min / cfm	1 / 35.3	1 / 35.3	
Length (L)	mm / in.	461 / 18 5/32	461 / 18 5/32	
Weight	kg / lbs	2.2 / 4.8	2.2 / 4.8	
Noise level	dB (A)	78	78	
Air hose dia.	mm / in.	10 / 3/8	10 / 3/8	
Air inlet pipe thread size		1/4" f	1/4" f	

Performance data relate to an air pressure of 6.3 bar (90 PSI)

<b>Included in delivery</b>	Hose coupling with nozzle and nipple · Torque adjustment tool · Assortment of clutch springs
<b>Optional Equipment</b>	Exhaust hose (0.6 m / 2 ft.), part no. 398703A



It is necessary to use a torque support (e.g. stand, handgrip) for maximum torque: over 60 Nm for angle design.  
Suitable torque supports can be found in our brochure D3345E.

# DEPRAG

**DEPRAG SCHULZ GMBH u. CO.**

P.O. Box 1352, D-92203 Amberg, Germany  
Carl-Schulz-Platz 1, D-92224 Amberg  
Phone (+49) 9621 371-0, Fax (+49) 9621 371-120  
[www.deprag.com](http://www.deprag.com)  
[info@deprag.de](mailto:info@deprag.de)



CERTIFIED AS PER DIN EN ISO 9001

---