



Screwdriving Technology

Automation

Air Motors

Air Tools



Air Turbine Drill

- suitable for use in potentially explosion-hazardous environments
- excellent power-to-weight ratio
- with turbine drive
- highly durable

This new drill is primarily used in manual core-drilling applications when equipped with a drill-rod. This drill is exceptionally robust when drilling soft- or semi-solid coal, shale or other soft rock formations.

Due to its design and layout, this drill corresponds to the highest safety requirements as stipulated for the use in explosion-hazardous environments.

This is a worldwide innovation where the first of our drills is equipped with a turbine drive. The drill does not require airline lubrication (oilfree!). This tool outputs an enormous torque of 45 Nm (400 in.lbs.) at maximum power! The innovative regulator of this drill guarantees an extreme long lifespan. The drill is intended for dry-drilling. The simple to use drill-chuck comes in a particular hex size or can be customized according to a customers' requirement. The frontal exhaust air helps with keeping the drill location clear of debris.

Suitable for use in potentially explosion-hazardous environments

Due to its design and layout, this drill corresponds to the highest safety requirements as stipulated for the use in explosion-hazardous environments IM2c II2GcIIBT5(100°C)X).

Excellent power-to-weight ratio

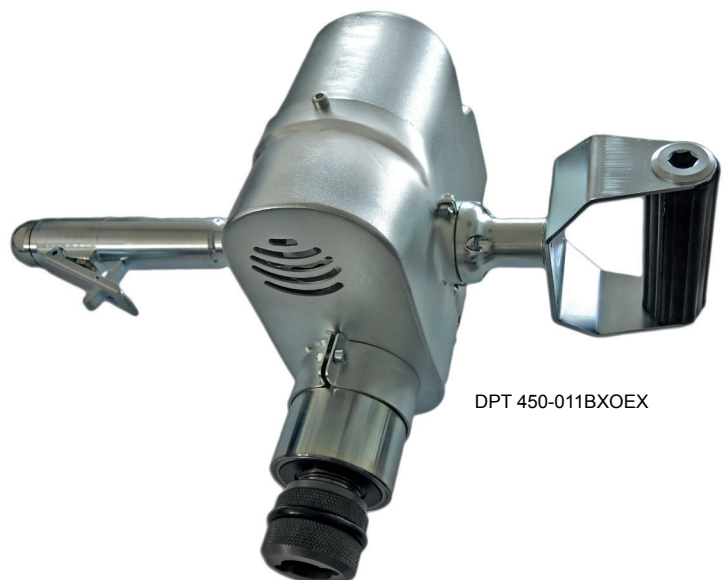
The total weight of the drill is only 8.7 kg (19 lbs.) and therefore the power-to-weight ratio is an advantage!

Turbine drive

Our turbine drill is equipped with a powerful turbine drive that offers an exceedingly high power when compared to conventional air tools. Our turbine drill operated oilfree and is therefore practically maintenance free. Its low weight assures a fatigue-free effort.

Highly durable

The robust construction assures a high longevity even for 24/7 operations.

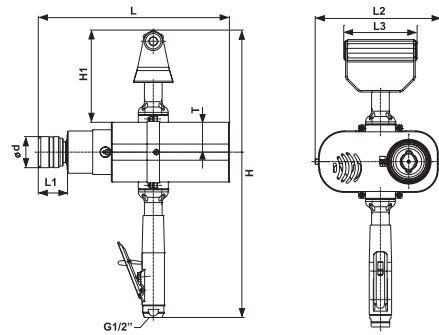


DPT 450-011BXOEX



SPECIFICATIONS - AIR TURBINE DRILL

Design



DPT 450-011BXOEX

| Drill | Model | DPT 450-011BXOEX | |
|---|---------------------------|------------------|----------------|
| Safety Lever | Part No. | 6061253A | |
| Max. power output | kW (hp) | 4,5 | (6.00) |
| Speed (no load/max. power) | min ⁻¹ (rpm) | 1100/900 | |
| Air consumption (no load/max. power) | m ³ /min (cfm) | 1,25/4,3 | (44.14/151.83) |
| I.D. of air inlet hose | mm (in) | 19 | (.75) |
| Max. Drill-ø | mm (in) | 42 | (1.65) |
| Measured and certified emission-level for acoustic-pressure A, LpAeq,T | dB(A)/20µPa | 88,6 (K=3) | |
| Measured and certified emission-level for acoustic-power A, Lwa | dB(A)/1pW | 99,6 (L=3) | |
| Certified acceleration-value of the vibration being transferred to hand-arm | m/s ² | 3,79 (K=0,87) | |
| Weight | kg (lbs) | 8,7 | (19.17) |
| Length L | mm (in) | 308 | (12.13) |
| Length L1 | mm (in) | 47 | (1.85) |
| Height H | mm (in) | 414 | (16.30) |
| Height H1 | mm (in) | 148 | (5.83) |
| Distance from spindle center to outside of housing T | mm (in) | 48 | (1.89) |
| Diameter ød | mm (in) | 50 | (1.97) |
| Air connection | | G1/2" | |

Specifications at 90 psi (6,3 bar)

| Standard Equipment: | Part Number |
|-----------------------|-------------|
| Hose nozzle, turnable | 6021323A |

| Optional Accessories: | Part Number |
|---------------------------------------|-------------|
| External filter Sw 19/G3/4" 20 mic *) | 6022055A |

*) To increase the lifespan of the drill, we recommend equipping the drill with an external filter.

DEPRAG
machines unlimited

