

DEPRAG

Operating Instruction Booklet

Pneumatic-Plier

48-381-3BFS90

829603 A

Dear Customer:

This tool is the result of more than 70 years of experience in the design and manufacturing of pneumatic tools for the industrial market.

We kindly ask, that you read these operating instructions carefully, so that you will be able to use this tool safely and for many years to come. If you need additional information, please contact your DEPRAG

Representative, one of our international support offices or us direct at DEPRAG. We will be happy to answer any questions. Please visit our web site: www.deprag.com

1 List of Content

1	LIST OF CONTENT	2
2	SAFETY TIPS	3
2.1.	General Safety Tips	3
2.2.	Safety Tips for machines for cutting and squeezing	4
2.3.	Owner Obligation	5
2.4.	Operator Obligation	5
2.5.	Warranty and Liability	6
2.6.	Symbol Description	7
2.7.	Observe Environmental Regulations	9
3	DESIGNATED EQUIPMENT USE	9
4	INSTALLATION	10
5	OPERATION	11
6	HANDLING	11
7	ASSEMBLY - DISASSEMBLY	12
7.1.	Spare Parts Drawing	13
7.2.	Spare Parts Listing	14
7.3.	Dimensional Drawing	15
8	MAINTENANCE AND UPKEEP	16
8.1.	Wear Parts	16
8.2.	Trouble Shooting	17
9	DELIVERY CAPACITY	17
10	STORAGE	18
11	TECHNICAL DATA	18
12	DISPOSAL	18
13	CONFORMITY DECLARATION	19
14	SERVICE LOCATIONS AND AUTHORIZED PARTNERS	20

2 Safety Tips

2.1. General Safety Tips



Before operating tool make sure to carefully read and observe this operating instruction.

Generally, the operator of the equipment and/or machinery is responsible for the equipment's perfect condition and operation, while observing all necessary safety regulations. The equipment and/or machinery has been constructed in accordance with the newest stand of the technology, while recognizing all necessary safety-related requirements. Nevertheless, while operating the equipment and/or machinery there is a change of bodily harm to the operator as well as damage to equipment and/or machinery and other property. Operate the equipment and/or machinery only if equipment/machinery

- Is used for the task it was designed for
- is in perfect working condition and safe to use.

It is important to observe the technical data of the equipment, especially in regards to the environmental temperatures. The designated area of use for this equipment is clearly described in chapter *Designated Equipment Use* and those requirements have to be observed as well. Prerequisite for the safe conduct and the uninterrupted operation of the equipment, is the knowledge of the basic safety tips and the safety regulations. Additionally, all current regulations for a safe operational area, for accident-prevention guidelines of electrical and mechanical installations, as well as noise suppression demands must be observed. During any maintenance or repair work, a clean work surface is recommended. Also, it is not recommended to either eat or smoke during repair or maintenance. Arbitrary changes made to the equipment, which alters its designated use, voids the warranty and cancels the manufacturers liability.

- The tool is not insulated to protect against an electrical power surge.
- It is not recommended to use this tool in explosive hazardous environments, unless it was specifically designed for such a use.
- During the disconnection or reconnection of the tool from the compressed air, an injury is possible because of a whipping pressure-hose.

The operating-instruction booklet, especially the safety-symbols and safety-tips attached to the equipment or included in the documentation, must be observed at all times by all persons coming in contact with the equipment.

2.2. Safety Tips for machines for cutting and squeezing



- Keep your hands away from the cutting/pressing opening! Tool inserts with a wide “mouth” especially may cause injuries.
- Make sure to never operate the tool holding it towards yourself or any other person.
- Cut-off pieces or work parts of especially brittle material may be catapulted off – so watch out! When starting the tool, always pay attention to adjust the operating tool tip so that this risk will be reduced. Make sure to wear protective goggles!
- Before putting the tool back down make sure to secure the lever, in order to avoid inadvertent start of tool.
- When connecting/disconnecting tool to/from air supply, take absolute care NOT to activate operating lever. After using and before putting it down, tool should be disconnected from air supply.
- Check plier inserts prior to operation and make sure they are not worn. If necessary, install new inserts (injuries may be caused by using worn/broken inserts).



- The plier should only be used for the intended application. Tool may be damaged by cutting or bending tests, in the attempt to increase its power capability.
- For exchange of inserts, tool has to be disconnected from power/air supply .
- Maximum operating (flow) pressure must not be exceeded. Make sure to use a pressure regulator so that air flow pressure is checked before reaching the tool.
- Do not wear any loose clothing or jewellery. They may get caught on the moving parts. Protect long hair by using a hair net.

2.3. Owner Obligation

The owner is obliged to only let persons operate the equipment, who

- are familiar with basic work environment safety rules and accident-preventing regulations. Also, those persons must be instructed in the correct use of the equipment.
- have read and understood all safety and warning notifications in the Operating Instruction Booklet, as well as all other documentation pertaining to this equipment.
- check and confirm at regular intervals, that a safety-conscious operation is guaranteed.

Only qualified and authorized personnel is allowed to operate, maintain and repair this equipment. A malfunction, which impairs operator safety, must be immediately removed.

2.4. Operator Obligation

Personnel, who is engaged in the operation of the equipment, must always be committed to

- observe the basic safety and accident preventing regulations,
- read and observe the safety and warning notifications of this operating instruction booklet.

2.5. Warranty and Liability

Unless otherwise specified, our “General Sales and Delivery Conditions” apply. Warranty and liability claims in regards to persons or equipment damages are invalid, if one or several of the following causes apply:

- Use of the equipment in a non-designated application.
- Improper installation, operation, service or maintenance of the machine.
- Operation of the machine with either defective or removed safety and protection devices.
- Non-observance of the requirements stated in the operating instruction booklet, in regards to transportation, storage, mounting, installation, operation, maintenance and service of the equipment.
- Structural change or adjustment on the equipment to a non-designated use.
- Inadequate supervision of wear parts.
- Improper repair, inspection or maintenance.
- Catastrophic cases because of a war, acts of god or other reasons which are beyond our control.

2.6. Symbol Description



Read and observe the Operating Instruction Booklet, prior to and during operation of tool.



DANGER

Reference to an immediate danger to a person. May lead to serious injuries or even death, if unobserved!



Properly recycle environmentally damaging grease, cooling agents or detergents



RECOMMENDATIONS

Important or additional information on the equipment or in the documentation



Use eye protection or wear safety goggles

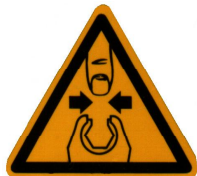


Wear hearing protection



Warning for hand-injuries.

Attention: Keep away your hands from areas, which are marked with this symbol!



There is the danger, that hands may be crushed, seized or otherwise injured.



ESD protected area

Equipment may be damaged or destroyed by an electrostatic discharge.

Maintenance and repair on hydraulic and pneumatic equipment may only be performed by specially trained personnel!



Disconnect equipment from air supply, prior to repair of pneumatic or hydraulic equipment.

Provide regular preventive maintenance on hoses and airlines. Exchange hose lines, even if there is no visible damage! (Observe corresponding requirements of the manufacturer!)

After repair and maintenance, check the following items:

- make sure all detached and re-attached connections are solid.
- confirm that removed covers, screens or filters were re-installed
- During disconnecting or reconnecting of an air-operated equipment, injury may occur due to a whipping air-hose

After conclusion of maintenance or repair and prior to start of operation, make sure to

- Remove all for the maintenance or repair needed materials, tools and other supplies from work-area of the equipment
- Remove leaked liquid or oils
- Make sure all safety devices on the equipment work perfectly!

2.7. Observe Environmental Regulations



When working on or with the equipment, it is imperative to observe all requirements in regards to waste-disposal and proper recycling.

Especially during installation-, repair or maintenance water damaging agents, such as,

- lubricating grease and –oil
- hydraulic fluid
- cooling agents
- solvent-containing cleaning agents

must not leak into the ground or into the sewage system!

Such materials must be stored, transported, contained and recycled in suitable containers.

3 Designated Equipment Use

DEPRAG pneumatic pliers are to be used for cutting, bending, sealing/stamping, pressing and mounting of hose/spring clamps.

4 Installation

- Blow out air line and pressure hose, prior to connection it to the tool.
- Make sure, that all air lines have a sufficient cross-section (see technical data) and hoses must be free of bends and kinks. The hose length should not exceed 2 meters.
- All DEPRAG Pliers, may be operated either with or without lubricated air. (see paragraph: Maintenance and Upkeep). Best results are achieved, when plier is lubricated with 1 – 2 drops of oil per 1m³. When plier is operated with dry air, a performance reduction of up to 20% occurs and maintenance increases!
- Connect the equipment as follows:
 - a) for standard operation connect to a maintenance unit consisting of filter with condensation reservoir, oiler and pressure regulator. When selecting a maintenance unit, make sure to observe the plier's air consumption requirement (see technical data).

Air Consumption	Thread Size	Part No.
0,05 - 0,5 m ³ /min	G 1/4	820454 A
0,15 – 1,5 m ³ /min	G 1/2	820455 A
0,8 – 4,0 m ³ /min	G 3/4	821608 A

- b) for the use with minimal lubrication connect equipment to a maintenance unit, consisting of Filter with condensation reservoir and Regulator

Air Consumption	Thread Size	Part No.
0,05 - 0,5 m ³ /min	G 1/4	822408 A
0,15 – 0,9 m ³ /min	G 3/8	826981 A
0,5 – 1,5 m ³ /min	G 1/2	822409 A
0,8 – 6,0 m ³ /min	G 3/4	826982 A

Each in connection with a Point-of-Use Oiler (Part No. 378077 A)

- c) For oilfree operation, connect to Filter/Regulator, consisting of Filter with condensation reservoir and Pressure Regulator.

Air Consumption	Thread Size	Part No.
0,05 - 0,5 m ³ /min	G 1/4	822408 A
0,15 – 0,9 m ³ /min	G 3/8	826981 A
0,5 – 1,5 m ³ /min	G 1/2	822409 A
0,8 – 6,0 m ³ /min	G 3/4	826982 A

- Check pressure at directly on the machine. The Regulator needs to be adjusted to an airflow of 6,3 bar (90 PSI). A higher pressure leads to increased wear and tear. A lower pressure results into reduced power output.

In regards to air-quality according to ISO8573-1, we recommend:

	CLASS	RESIDUE OF OIL	RESIDUE OF DUST		RESIDUE OF WATER	
		Content mg/m ³	Particle Size μm	Concentration max. mg/m ³	Dew Point °C	Pressure Concentration max. g/m ³
Lubricated Air	4	5	15	8	+3	6
Dry Air	3	1	5	5	-20	0,88

5 Operation

Attention:

Plier starts by activating lever valve. Air flow pressure must not drop beyond 5 bar!



The selection of the suitable plier size (power) depends on different determinants

such as:

- a) the strength resp. hardness and viscosity of the material to be handled or the material's respective yield strength.
- b) the air pressure.

If necessary, the best suitable type will have to be determined after respective cutting or clamping tests.

6 Handling

The DEPRAG plier is very easy to handle.

Take care to stand securely and hold plier in both hands. Plier insert will open up (close) and cut/treat the material (depending on insert used), once the lever is activated.

After letting go of the lever, plier will be vented and is again ready for use.

7 Assembly - Disassembly

Disassembly: (see Spare Parts Drawing)



Prior to disassembly, disconnect equipment from air-supply! Only experienced maintenance personnel may assemble or disassemble this equipment.

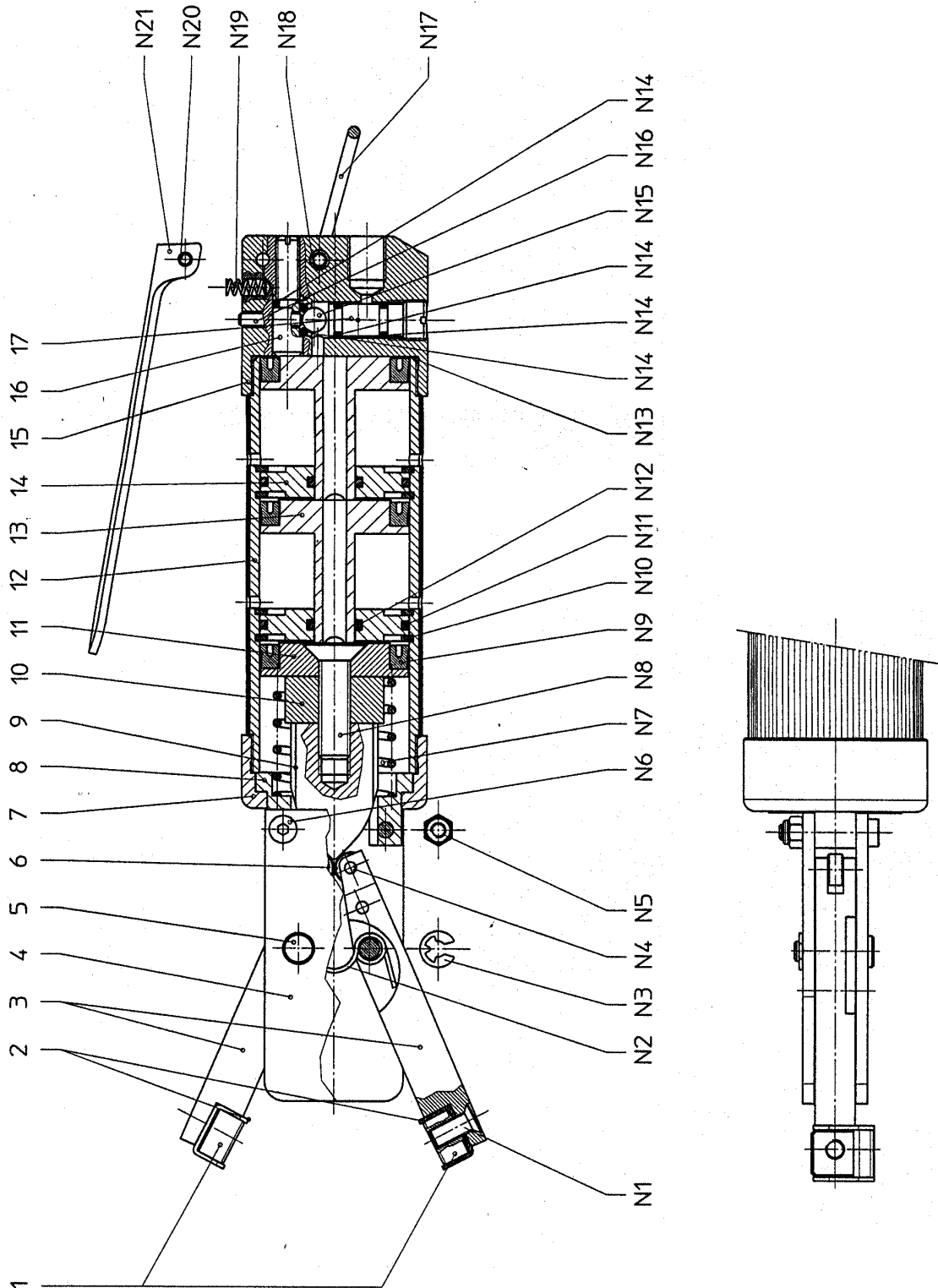
After repair or maintenance, verify that equipment runs to specification!

Principally, use only DEPRAG original spare parts. Otherwise, a reduction in equipment power-output and an increased maintenance-requirement occurs. If NON-DEPRAG parts are installed, DEPRAG is justified to void any existing warranty and liability obligations.

Assembly:
in reverse sequence

After maintenance please check technical data.

7.1. Spare Parts Drawing



Use nipple 804273 and quick coupler (I.D. 6 mm) to connect plier to air hose.

7.2. Spare Parts Listing

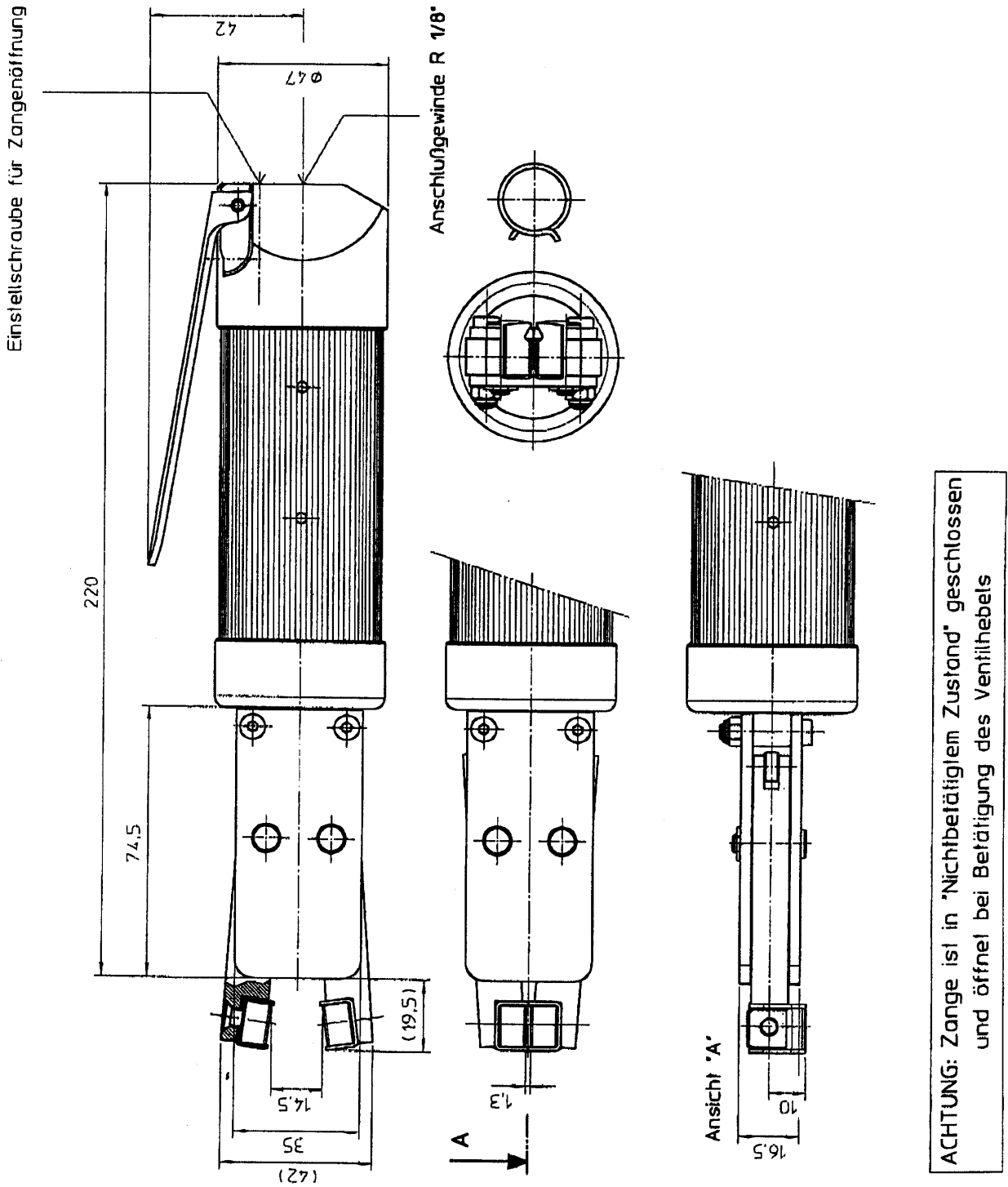
Pos.	QUANTITY	NAME
1	1 set of	INSERT TIP
2	1 set of	Angle
3	1 set of	Plier insert
4	2	Side piece (at the back 9
5	2	Insert bolt
6	2	Insert bolt
7	1	Nut
8	1	Guide
9	1	Key
10	1	Spacer
11	1	Key
12	1	Cylinder
13	1	Piston
14	2	Cylinder cover
15	1	Valve housing
16	1	Adjustment screw
17	1	Plug
N1	1	Screw
N2	1	Spring
N3	2	Washer
N4	2	Cylinder pin
N5	2	Hex. nut
N6	2	Screw
N7	1	Pressure spring
N8	1	Screw
N9	3	Gasket
N10	4	Lock ring
N11	2	O-Ring
N12	2	O-Ring
N13	1	O-Ring
N14	4	O-Ring
N15	1	Ball
N16	1	Cylinder pin
N17	1	Balancer
N18	1	Sleeve
N19	1	Pressure spring
N20	1	Pin
N21	1	Valve lever

7.3. Dimensional Drawing



Attention:

Plier is closed in "non-activated" status and will open when valve lever is pressed.



ACHTUNG: Zange ist in "Nichtbetätigtem Zustand" geschlossen und öffnet bei Betätigung des Ventilhebels

8 Maintenance and Upkeep

Testing and maintenance can be provided by Operator, disassembly and re-assembly of the DEPRAG Plier should be done by experienced maintenance personnel. Incorrect assembly or disassembly can lead to injury of an operator and damage of the tool.

The tool requires little maintenance. If the following service rules are observed, the tool will have a long life expectancy and will remain in a safe condition.

- Check tool on a regular basis for external damage.
- Check your maintenance unit on a regular basis, make sure that sufficient oil is in the lubricator (if lubrication is used) and that the adjustment is correct. We recommend for your lubricator DEPRAGOL, part 790081 E (250 cm³).
- After cleaning, the moving parts (such as piston) will have to be greased prior to re-assembly, preferably with Grease no.
- After assembly fill 2 – 3 drops of DEPRAGOL into the air inlet nipple.
- If tool are being used with lubrication, we recommend to have tools tested and cleaned every 12 months (single shift).
- If tools are being used without lubrication, we recommend to have tools tested and cleaned every 6 months (single shift).
- Exchange broken or worn plier insert immediately, for they can cause injury to the Operator.
- If tool malfunctions, we recommend to send the machine to DEPRAG.

8.1. Wear Parts

NAME	Pos.–No.
Piston	13
Plier inset	3

8.2. Trouble Shooting

In the case of a malfunction, check and observe all instructions contained in this technical documentation. If necessary, adjust equipment as needed.

Possible faults and their causes are shown below:

ERROR	REASON	SOLUTION
Plier does not start	No air, Shut-Off valve is closed	Open Shut-Off valve
Insufficient Power	Air pressure too low	Minimum air pressure should be 90 PSI for maximum performance
	Restriction in air hose	Remove bends or other restrictions
	Hose I.D. is too small	Use required hose I.D.
	Plier insert is worn	Exchange plier insert
	Piston is worn	Exchange piston

If necessary, please send tool to DEPRAG for service.

9 Delivery Capacity

Please check the delivery capacity in regards to its completeness.

QUANTITY	NAME	ORDER-No.
1	Operating Instruction Booklet	012240 EN
1	Plier	829603 A

10 Storage

Unused machines should be stored in a dry, locked area.

11 Technical Data

Manufacturer DEPRAG SCHULZ GMBH u. CO.
Address Kurfürstenring 12 - 18 Postfach 1352
D-92224 Amberg D-92203 Amberg
Phone 09621/371-0
Fax 09621/371-120

Technical Data :

TYPE:	48-381-3BFS90
Order-No.:	829603 A
Length (mm/in)	247
Machine diameter (mm)	47
Weight (kg/lbs)	0,6
Air pressure (bar/PSI)	6
Air consumption (m ³ /min / cfm)	390
Linear piston power(kN)	1,9

12 Disposal

Unused machines should be stored in a dry, locked area. Observe local and environmental regulations for the separation and recycling of materials.



Recycle waste oil to avoid environmental contamination!

13 Conformity Declaration

EC-Conformity Declaration according to the EC-Machine-Guidelines 98/37/EC, Amendment IIA

We,

DEPRAG SCHULZ GMBH & CO.
PO Box 1352
D-92203 Amberg

hereby confirm, that the design of the
the Plier

48-381-3BFS90


conforms to the following, relevant regulation:

- EC-Machine-Guidelines, Version 98/37/EC, Amendment No. 1 and No. 2.2.

Applicable Standard:

- EN 292

Amberg, 15.01. 2004


Dipl. Ing. (FH) A. Langig
Mr. Design Dept.

14 Service Locations and Authorized Partners

ARGENTINIEN

ERIN s.a.

Av. Constituyentes 5751
RA-1431 Buenos Aires
Tel./Fax: +54 (0) 11 / 4573.1313

AUSTRALIEN

De Rossi Industrial Pty. Ltd.

Unit 1 – 2 / 600 Liverpool Road
Strathfield South, N.S.W. 2136
Tel.: +61 (0)2 / 8732.7200
Fax: +61 (0)2 / 8732.7299
e-mail: sales@derossi.com.au

BELGIEN

Aijkens en Zumpolle B.V.

Postbus 2929
NL-5306 ZG
Brakel/Niederlande
Tel.: +31 (0)4 18 / 67 18 16
Fax: +31 (0)4 18 / 67 32 17
Internet: <http://www.zumpolle.net>
e-mail: info@zumpolle.net

BRASILIEN

METALFEMA Ltda.

Rua Saõ Pedro, 786
Saõ Leopoldo – RS –
BRAZIL
ZIP 93.010-260
Tel.: +55 (0) 51 / 592.4050
Fax: +55 (0) 51 / 590.1856
e-mail: mtfma@zaz.com.br

CHINA, SUZHOU

DEPRAG China

DEPRAG Assembly Technologies Co., Ltd.
No. 5, Xing Han St, Bk. A#06-16
Suzhou 215021, P.R. China
Tel.: +86 (0) 512 – 6767 – 1108
Fax: +86 (0) 512 – 6767 – 1109
e-mail: biz@deprag.com.cn
e-mail: d.hua@deprag.com.cn
Internet: www.deprag.com.cn

DÄNEMARK

DEPRAG Scandinavia AB

Gap Sundins väg 3
SE-63346 Eskilstuna
Tel.: +45 (0) 98572250
Fax: +45 (0) 98572253
Internet: <http://www.deprag.com>
e-mail: keld.branner@get2net.dk

DEUTSCHLAND

Werk Amberg

Kurfürstenring 12-18,
D-92224 Amberg
Postfach 1352,
D-92203 Amberg
Tel.: +49 (0) 9621 / 3 71-0
Fax: +49 (0) 9621 / 3 71-1 20
Internet: <http://www.deprag.com>
e-mail: info@deprag.de

ESTLAND

Pneumacon OY

Läkkisepäntie 4
FI-00620 Helsinki
Tel.: +358 (0) 9 / 7288.160
Fax: +358 (0) 9 / 7288.1610
Internet: <http://www.pneumacon.fi>
e-mail: info@pneumacon.fi

FINNLAND

Pneumacon OY

Läkkisepäntie 4
FI-00620 Helsinki
Tel.: +358 (0) 9 / 7288.160
Fax: +358 (0) 9 / 7288.1610
Internet: <http://www.pneumacon.fi>
e-mail: info@pneumacon.fi

FRANKREICH

DEPRAG France

9, rue du Général Frère
F-67500 Haguenau
Tel.: +33 388 / 06.14.17
Fax: +33 388 / 93.01.08
e-mail: depragfrance@evc.net

GRIECHENLAND

D. Panayotidis – J. Tsatsis S.A.

6 Pireos Street – Moschaton-
Athen
Tel.: +30 (0) 1 / 4810.817-8-9
Fax: +30 (0) 1 / 482 96 73

GROSSBRITANNIEN

DEPRAG Ltd.

Holly Farm Business Park
Honiley, Kenilworth
Warwickshire CV8 1NP
Tel.: 0044 1926 485480
Fax: 0044 1926 485481
Internet: www.deprag.co.uk
e-mail: m.searle@deprag.co.uk

IRAN

NACCARSON AIR TOOLS Co., Ltd.

Azadi Ave. No. 625
IR-Tehran 14 588
Tel.: +98 (0) 21 / 6006602 + 6015656
Fax: +98 (0) 21 / 6009451

IRLAND

Production Equipment Ltd.

Riverside Commercial Estate
IRL-Galway
Tel.: +353 (0) 91 / 745 100
Fax: +353 (0) 91 / 751 299

ITALIEN

DREX PALLOTTI S.r.l

Via A. Manzoni, 19
I-20090 Vimodrone/Mi
Tel.: +390 02 / 2740 0561 + 0569
Fax: +390 02 / 2740 0607

JAPAN

NIPPON GESCO Ltd.

P.O. Box 255 Kyobashi Tokyo
Ginza Matsuyoshi Bldg.
17 – 8, 7-Chome, Ginza,
Chuo-Ku, Tokyo
Tel.: +81 (0) 3 / 3542.2400
Fax: +81 (0) 3 / 3542.2420
e-mail: mail@gesco.co.jp

KOREA (Süd)

Handwerkzeuge

DONG WON POWER-TECH.INC.

108-10 Moonjung-Dong
Songpa-Ku
Seoul, Korea
Tel.: +82 (0) 2 / 409.1344
Fax: +82 (0) 2 / 409.1345

Schraubtechnik

Fatec Co.Ltd.

#903, SUNGLIM B/D 257
CHULSAN-DONG
KWANGMYUNG-CITY,
KYUNGGI-DO
Tel.: +82 (0) 2 / 2 688.2152
Fax: +82 (0) 2 / 2 688.2842
e-mail: fatec@fatec.co.kr

KROATIEN

SM AUTOMATIKA D.O.O

Trg i. Kukuljevica 6
HR-10090 Zagreb
Tel.: +385(0)13894179
Fax: +385(0)13878978
Internet: <http://www.sm-automatika.hr>
e-mail: info@sm-automatika.hr

LITAUEN

HIDROTEKA

P.O. Box 572
LT-3028 KAUNAS
Tel.: +370 (0) 37 / 352195
Fax: +370 (0) 37 / 351952
e-mail: hidroteka@post.sonexco.com

LUXEMBURG

Comptoir Technique et Industriel
321, Route d'Arlon
L-8011 Strassen
Penang, MALAYSIA
Tel.: +352 / 31 31 40
Fax: +352 / 31 31 95

MALAYSIA

FI INNOVATION ENTERPRISE
175, MK D Jalan Bahru
Balik Pulau 11000
Penang, MALAYSIA
Tel. ++60/13/ 449.0386 / ++60/16/ 403.6797
e-mail: farisfi@tm.net.my

NIEDERLANDE

Zumpolle B.V.
Postbus 2929
NL-5306 ZG
Brakel/Niederlande
Tel.: +31 (0) 4 18 / 67 18 16
Fax: +31 (0) 4 18 / 67 32 17
Internet: <http://www.zumpolle.net>
e-mail: info@zumpolle.net

NORWEGEN

TORP FASTENERS
P.O. Box 2953 – Tøyen
N-0608 Oslo
Tel.: +47 (0) 2 / 2681.530
Fax: +47 (0) 2 / 2199.127

ÖSTERREICH

Amersin Olschinsky GmbH
Carlberggasse 45
A-1230 Wien
Tel.: +43 (0)1 / 8 69 87 66
Fax: +43 (0)1 / 8 65 16 97
Internet: <http://www.amersin.at>
e-mail: information@amersin.at

POLEN

ELKREM SPOLKA Z O.O.
ul. Wielki Row 40B
87-100 Torun
Tel. ++48 / 56 / 662.3881
FAX ++48 / 56 / 662.3882
e-mail: elkrem@to.onet.pl

PORTUGAL

Anibal Pires Lda.
A.P. 23
E.N. 1 – Mourisca do Vouga
P-3750 TROFA AGD
Tel.: +351 (0) 234 / 646.820
Fax: +351 (0) 234 / 646.815
Internet: <http://www.anibalpires.pt>
e-mail: anibalpires@mail.telepac.pt

SCHWEDEN

DEPRAG Scandinavia AB
Gap Sundins Väg 3
S-633 46 Eskilstuna
Tel.: +46 (0) 16-12 61 10
Fax: +46 (0) 16-13 31 88
Internet: <http://www.deprag.se>
e-mail: info@deprag.se

SCHWEIZ

Limattec Automation AG
Schlachthausstrasse 15
CH-2540 Grenchen
Tel.: +41 (0) 32 / 6542904
Fax: +41 (0) 32 / 6542901
Internet: <http://www.limattec.ch>
e-mail: office@limattec.ch

SINGAPUR

Testel Systems Pte Ltd
1200 Depot Road # 04-07/09
Singapore 109675
Tel.: +65 / 6271-3688
Fax: +65 / 6271-8866
e-mail: testel@pacific.net.sg

SLOWENIEN

MB-NAKLO D.O.O.
Toma Zupana 16
SLO 4202 NAKLO
Tel.: +386 (0) 4 / 277 17 00
Fax: +386 (0) 4 / 277 17 17
e-mail: mb-naklo@siol.net

SPANIEN

ALCOTAN SISTEMASS S.A.
p° de la Direccion, nmro. 95,
local
E-28039 Madrid
Tel.: +349 (0) 1 / 311.17.84 + 311.18.01
Fax: +349 (0) 1 / 311.60.53

Barcelona office:
Passeig de la Mare de Déu del
Coll, 122-124
E-08023 Barcelona
Tel.: +349 (0) 3 / 2 19 77 43

TAIWAN

I HEN MACHINE Co.Ltd.
6F-9, No. 12, Lane 609, Sec. 5
Chung-Hsin Road,
San-Chung City
241 Taipei Hsen
Tel.: +886 (0) 2 / 2999.6766
Fax: +886 (0) 2 / 2999.6236

TSCHECHIEN/SLOWAKEI

DEPRAG CZ a.s.
ul. T.G. Masaryka 113
CZ -50781 Lázně Bělohrad
Tel.: +420 (0) 4 93 / 79 24 11
Fax: +420 (0) 4 93 / 79 25 12
Internet: <http://www.deprag.com>
e-mail: info@deprag.cz

TÜRKEI

MEKA AUTOMOTIVE ASSEMBLY EQUIPMENTS
4. Cadde 67. Sokak 17/1
Emek 06510 Ankara
Tel. ++90 / 312 / 215.3490
FAX ++90 / 312 / 212.8013
e-mail: melih@me-ka-assembly.com
www.me-ka-assembly.com

UNGARN

ADLER '91
Export/Import Kereskedelmi
Takarék u. 18/B
H-8800 Nagykanizsa
Tel./Fax: +36 (0) 93 / 314 633
e-mail: adler91adlovits@broadband.hu

Nóniusz Tool Trading House Ltd.
Kőbányai út. 47/6
H-1101 Budapest
Tel.: +36 (0) 1 / 260 030 30
Fax: +36 (0) 1 / 260 060 83
Internet: <http://www.noniusz.hu>
e-mail: noniusz@noniusz.hu

USA, MEXIKO, KANADA

DEPRAG INC.
645 Hembry St. / P.O. Box 1554
Lewisville, TX 75057-4726
Phone: +1 / 972 / 221 – 8731
Fax: +1 / 972 / 221 – 8163
Toll Free: (800) 4 DEPRAG
Internet: <http://www.deprag.com>
e-mail: deprag@depragusa.com

VENEZUELA

Suministros Tecnicos SUMTEC C.A.
Av. Francisco de Miranda, Centro Plaza
Torre C, Piso 16, Oficina C16 A-B
Urb. Los Palos Grandes
Caracas 1060
Tel.: +58 (0) 212 – 2856410
Fax.: +58 (0) 212 – 2851947

DEPRAG

DEPRAG SCHULZ GMBH u. CO.

Postfach 1352, D-92203 Amberg

Kurfürstenring 12-18, D-92224 Amberg

☎ (09621) 371-0

Fax (09621) 371-120

Internet: <http://www.deprag.com>

e-mail: info@deprag.de



ZERTIFIZIERT NACH DIN EN ISO 9001

Jan-04 Änderungen vorbehalten / Technical alterations reserved